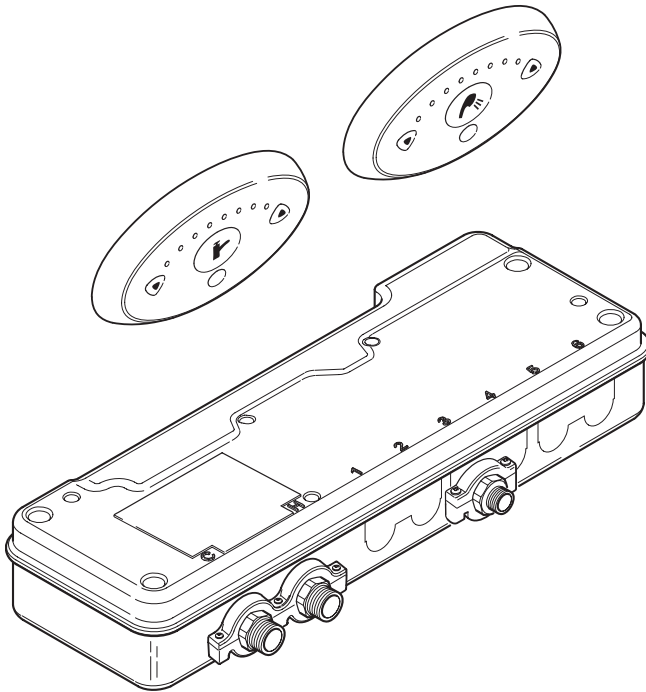


Sense **rada**

Rada Sense Washbasin and Shower DMV (Aus)



PRODUCT MANUAL

IMPORTANT

Installer: This Manual is the property of the customer and must be retained with the product for maintenance and operational purposes.

CONTENTS

DESCRIPTION	3
SAFETY : WARNINGS	3
PACK CONTENTS	4
SPECIFICATION	5
Standards and Approvals	5
INSTALLATION	6
Power Supply Unit (PSU).....	7
Rada Sense Control Panel.....	8
Rada Sense (DMV)	9
COMMISSIONING	10
Maximum Temperature Setting	11
OPERATION	12
Duty Flush	12
Thermal Disinfection.....	12
CLEANING	13
FAULT DIAGNOSIS	14
Self-diagnostic Errors	16
PLANNED MAINTENANCE	17
Healthcare	17
Frequency of In-service Tests	18
Checkvalves and Filters	20
NOTES	21
SPARE PARTS	22
ACCESSORIES	22
CUSTOMER CARE	24

DESCRIPTION

The Rada Sense Digital Mixing Valve (DMV) consists of a range of concealed 1/2" digital mixing valves with wall mounted no-touch control panel for flow and temperature control. Functions include timed flow control, duty flush and thermal disinfection.

Other Applications

For information on other specific applications or suitability, refer to Thornthwaite Technologies Pty Ltd or Kohler Mira Ltd.

SAFETY : WARNINGS

The function of this DMV is to deliver water consistently at a desired temperature. This requires that:

1. It is installed, commissioned, operated and maintained in accordance with the recommendations given in this Manual.
2. Periodic attention is given, as necessary, to maintain the product in good functional order. Recommended guidelines are given in the **PLANNED MAINTENANCE** section.
3. Using this product outside the specification limits given in this Manual can present potential risk to users.
4. The electrical installation must comply to "AS/NZS 3000" and to any particular regulations and practices, specified by the local electricity supply company.
5. **DO NOT** fit any form of outlet flow control i.e. trigger handset. Use only recommended fittings.

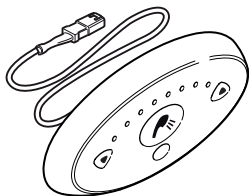
The use of the word 'failsafe' to describe the function of any mixing valve is both incorrect and misleading. This electronic valve incorporates additional shut-off devices to improve the level of safety however, in keeping with every other mechanism it cannot be considered as being functionally infallible.

Where chlorine disinfection is practised, **DO NOT** exceed a chlorine concentration of 50 mg/l (ppm) in water, per one hour dwell time. Such procedures must be conducted strictly in accordance with the information supplied with the disinfectant and with all relevant Guidelines/Approved Codes of Practice.

If you experience any difficulty with the installation or operation of your new DMV, please refer to "**Fault Diagnosis**" before contacting Thornthwaite Technologies Pty Ltd.

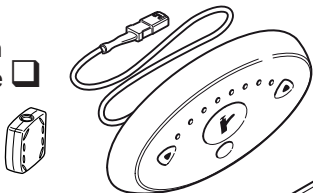
Our telephone and fax numbers can be found on the back cover of this guide.

PACK CONTENTS



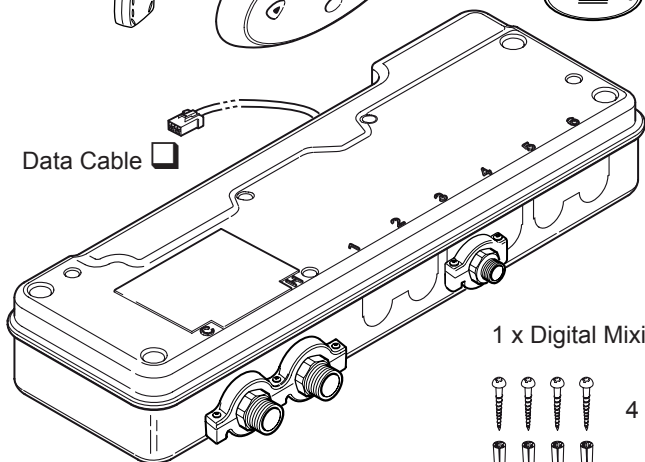
1 x Shower Control Panel
or 1 x Washbasin Control Panel

Suppression
Ferrite

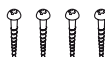


 Magnetic Key

Data Cable



1 x Digital Mixing Valve (DMV)


 4 x Fixing Screws

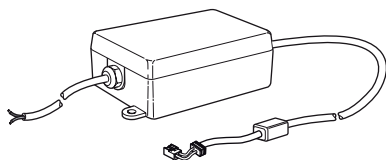
 4 x Wall Plugs

 6 x Rubber Feet

1 x Power Supply Unit (PSU)

 2 x Fixing Screws

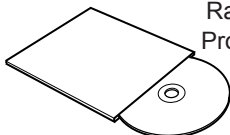
 2 x Wall Plugs



2 x Installation Templates

DMV Installation Template, on the Packaging

Rada Sense Software
Programmer CD (Aus)



SPECIFICATION

Standards and Approvals

The Rada Sense DMV complies with all relevant directives for CE marking, Australian standards and WELS.

General		
Pollution Degree	3	
Rated Impulse Voltage	Mains Supply - 2.5 kV 12 V DC supply to valve - 500 V	
Connections	Flat face union connections	
Pressures		
Maximum Static Pressure	1000 kPa (10 bar)	
Minimum Pressure Loss <small>Refer to Note</small>	20 kPa (0.2 bar)	
Supply Pressure Differential	Max. 3:1 (Equal pressure recommended)	
Minimum Flow Rate for Washbasin and Shower	4 L/min (<500 kPa maintained pressure) 6 L/min (>500 kPa maintained pressure)	
Temperatures		
Factory Pre-set (Blend) for Washbasin and Shower	Max. 41 °C, Min. 30 °C, Default at start-up 38 °C and full cold enabled	
Factory Pre-set Duty Flush	41 °C	
Programmable Range	Max. 33 - 50 °C Min. 30 - 47 °C (full cold can be disabled if required) Default at start-up 30 - 50 °C	
Minimum Blend Temperature Differential from Hot Supply	2 °C	
Optimum Thermostatic Control Range	30 - 50 °C	
Cold Water Range	1 - 20 °C	
Hot Water Range	50 - 65 °C recommended temperature range (up to 85 °C ONLY for planned disinfection)	
Temperature Stability	± 1 °C at recommended supply conditions	
Ambient Temperature	Greater than 1 °C, max. 40 °C	
Maximum Relative Humidity	95% non-condensing	
Electrical		
Supply Voltage	100 - 240 V RMS 50 - 60 Hz	
Maximum Load	20 W at 12 V DC	
Control Panel Cable Length	3 m supplied (6 m max.)	
Times	Factory Settings	Programmable Range
Flow Time to Auto Shut-off	8 seconds - Washbasin 30 seconds - Shower	5 seconds to 60 minutes
Duty Flush Cycle	3 minutes	1 - 59 minutes
Duty Flush Waiting Time	12 hours	1 - 983 hours
Thermal Disinfection		
Minimum Temperature	60 °C	60 - 85 °C
Minimum Time	5 minutes	0 - 50 minutes

Note! The pressure loss of a system (valve and outlet fitting) is the average of the two inlet pressures minus the back pressure, where the back pressure is determined by the flow resistance of any outlet fitting.

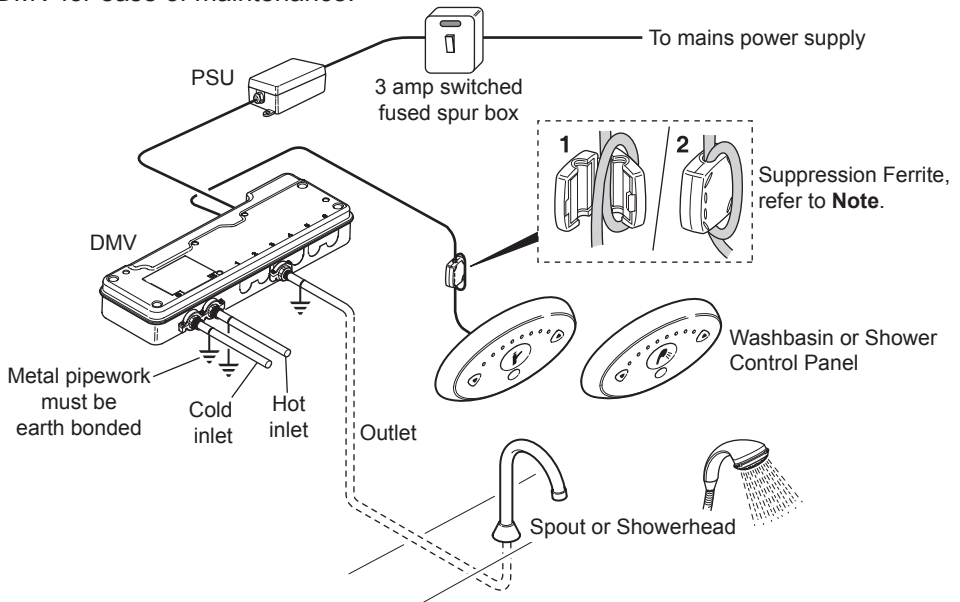
INSTALLATION

General

Installation must be carried out in accordance with these instructions, and must be conducted by designated, qualified and competent personnel. The installation must comply to “AS/NZS 3000 and AS/NZS 3500” and also to any other regulations and practices, specified by your local electricity and water supply companies.

Caution! The DMV and PSU must be installed in a dry area and where it will not freeze.

Note! The DMV must be installed in an area where it is accessible to do any maintenance tasks e.g. removal of the cover, cleaning the strainers etc. Flat face union connections must be used on the inlet and outlet connections of the DMV for ease of maintenance.

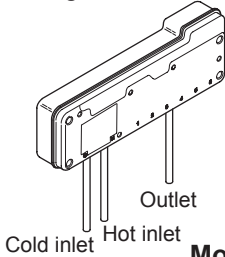


Note! The Data Cable must be placed through the Suppression Ferrite and then looped around the cover. The Suppression Ferrite must be fitted as close to the Control Panel as possible.

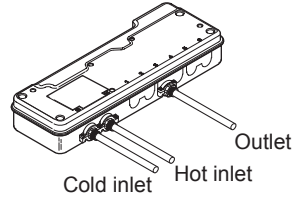
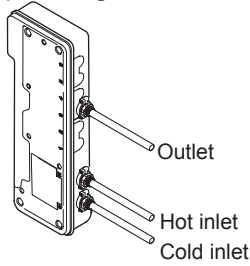
Installation Schematic

1. Inlet and outlet isolating valves must be installed close to the DMV for ease of maintenance.
2. The use of supply-line or zone strainers will reduce the need to remove debris at each mixing valve point. The recommended maximum mesh aperture dimension for such strainers is 0.5 mm.
3. Inlet pressure tapplings which allow measurement of the inlet pressures to the mixing valve under operating conditions are particularly recommended for healthcare applications.
4. Pipework must be rigidly supported and avoid any strain on the connections.
5. Pipework dead-legs should be kept to a minimum.

6. Supply pipework layout should be arranged to minimise the effect of other outlet usage upon the dynamic pressures at the mixing valve inlets.
7. Inlet and outlet threaded joint connections should be made with PTFE tape or liquid sealant. Do not use oil-based, non-setting joint compounds.
8. To eliminate pipe debris it is essential that supply pipes are thoroughly flushed through before connection to the outlet and to the Rada Sense DMV.
9. The DMV may **only** be orientated in the positions shown when mounted on a rigid vertical surface or on top of a rigid horizontal surface.



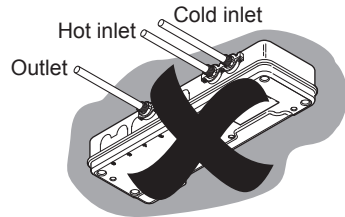
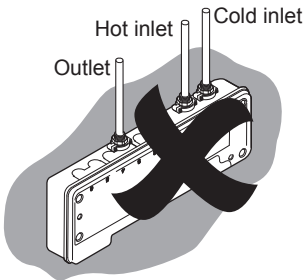
Mounting on a Vertical Surface



Mounting on a Horizontal Surface

Note! If the DMV is installed in a different orientation to those shown above, it may cause the DMV to malfunction e.g. cause airlocks, water ingress and could effect the thermal performance of the DMV.

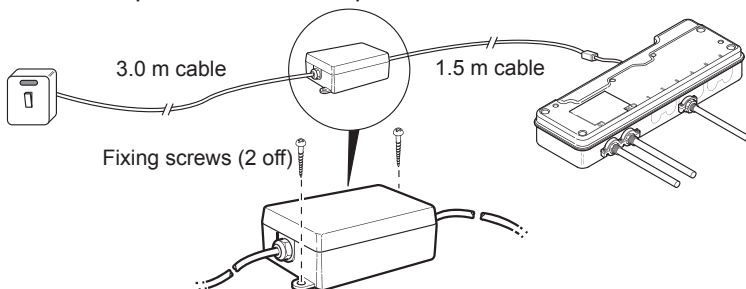
The DMV **MUST NOT** be installed in the orientations shown below.



10. To install your spout, refer to the Sense Spout Kits Installation Manual.

Power Supply Unit (PSU)

Warning! Isolate mains power supply before starting installation. The PSU must be connected to a 3 amp switched fused spur box.



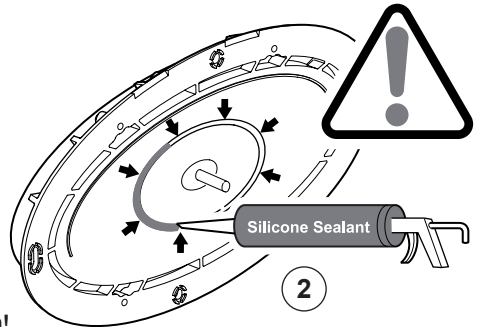
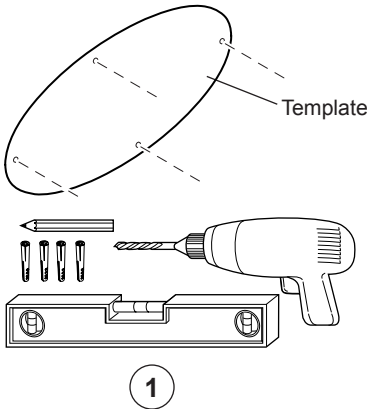
Rada Sense Control Panel

The Rada Sense Control Panel **MUST NOT** be installed in areas where high frequency lighting is used. Certain types of compact fluorescent and low voltage lighting use high frequency lamps that can interfere with the infrared system used in the control panel. We recommend standard switch-start fluorescent lighting to be installed within these areas.

Note! If the data cable is installed within a stud partition or recessed into a wall, make sure it is placed within a suitable conduit to allow easy removal during servicing.

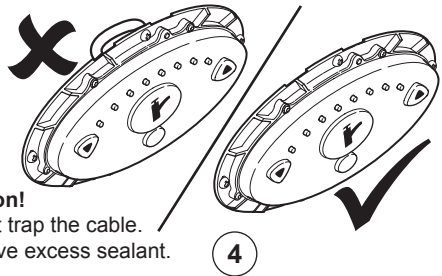
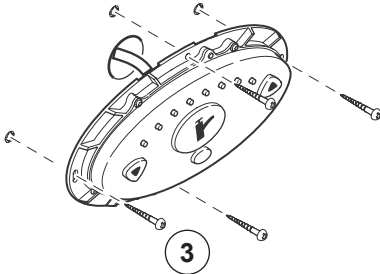
The Control Panel must only be installed onto a flat wall surface.

Follow steps 1 to 7 to install the control panel. **Note!** Only the washbasin control panel is shown.



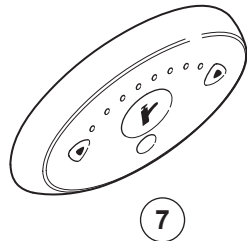
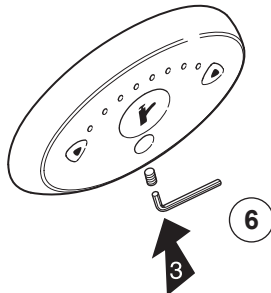
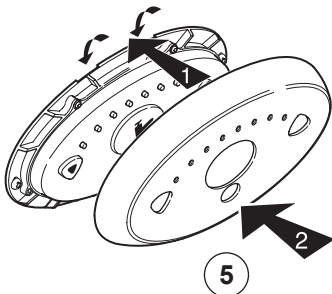
Caution!

Make sure Silicone Sealant is applied in the groove on the back of the Control Panel to stop water ingress into the data cable access hole in the finished wall.

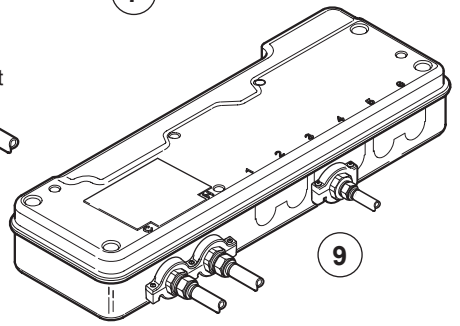
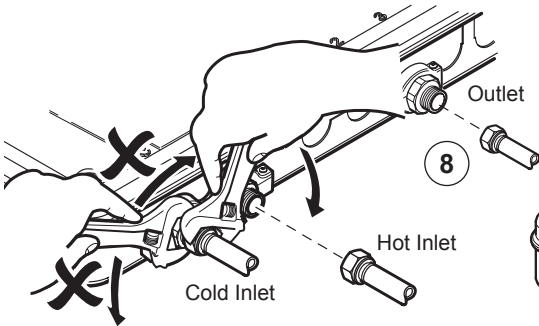
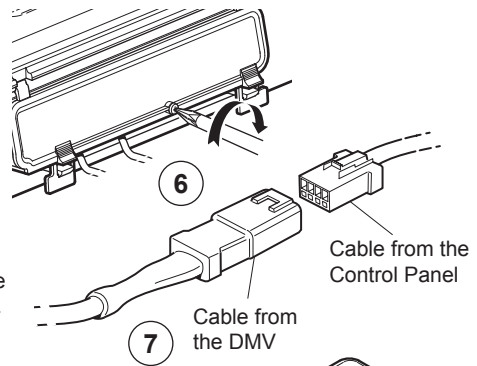
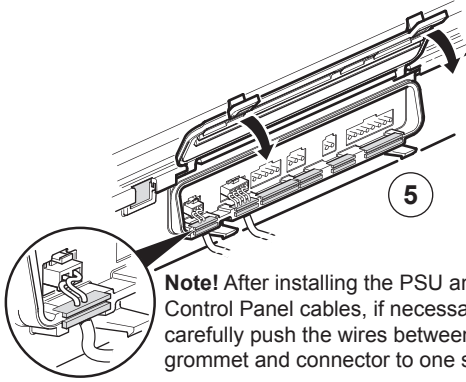
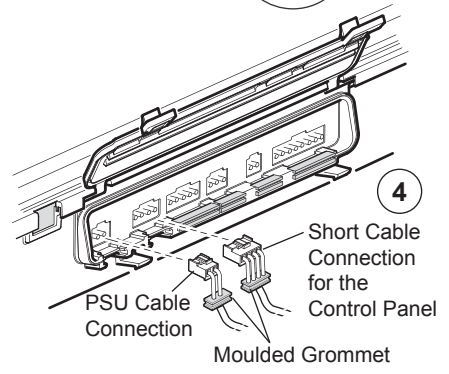
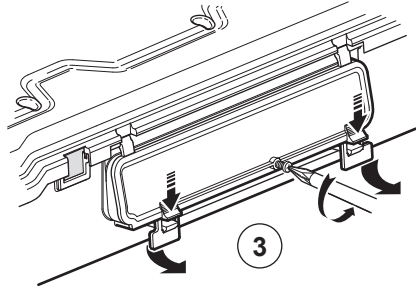
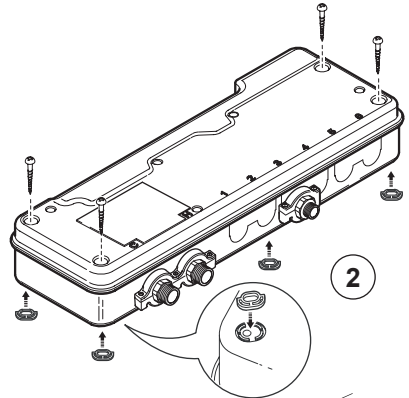
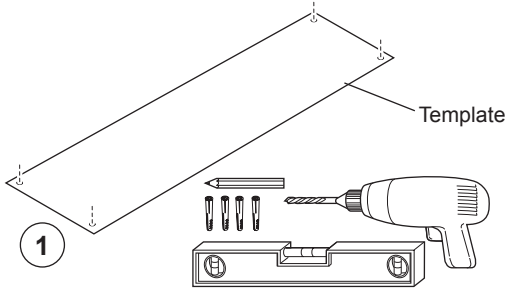


Caution!

Do not trap the cable.
Remove excess sealant.



Rada Sense (DMV)



COMMISSIONING

Commissioning must be carried out in accordance with these instructions, and must be conducted by designated, qualified and competent personnel.

Note! For Healthcare Installations, all results must be recorded.

1. Restore the water supply and check that there are no leaks.
2. Restore the power supply.
3. Position your hand over the flow sensor (indicated by a tap or shower) on the control panel to start the DMV and to flush out any air.
4. Check the supply temperatures and pressures are within the range stated in **SPECIFICATIONS**.
5. Refer to legionella prevention guidelines as required by relevant state authorities.
6. Check inlet pipework temperatures for correct function of checkvalves i.e. the hot water does not cross flow into the cold water supply.
7. Check that the temperature(s) and flow rates obtainable are acceptable.
8. Carry out a performance check:

Healthcare

Refer to NSW Healthcare, 'The Code of Practice for Thermostatic Mixing Valves (Hosplan)'.

Isolate the cold water supply to the DMV and monitor the mixed water temperature. Record the maximum temperature achieved and the final stabilised temperature on restoration of the cold water supply.

Note! The final stabilised mixed water temperature should not exceed 43.5 °C (NSW) or 45 °C for other states, any higher temperatures should only occur briefly.

Commercial

Locate another outlet on the common cold water supply close to the DMV (operating this outlet should cause a drop in supply pressure) and note the subsequent effect on blend temperature (should be no more than 2 °C change).

Maximum Temperature Setting

The maximum blend temperature obtainable by the user is limited to prevent accidental selection of a temperature that is too hot.

The DMV is fully performance tested and the maximum temperature is factory preset, refer to **SPECIFICATIONS**.

Provided that the installation conditions comply with the operating parameters given in the specifications section of this manual, the maximum temperature should not require adjustment.

If the user requires to change the Default, Minimum, Maximum Temperatures or the Flow Times, refer to your Rada Sense Programmer Software CD and Manual.

Caution! The outlet temperature must be re-checked after a new temperature has been programmed.

Note! The Rada Sense Programmer CD supplied, is designed to run on Microsoft Windows 98/NT/2000/XP operating systems. The programmer software is designed to run on Microsoft Pocket PC 2002 and Microsoft Mobile Windows for Pocket PC 2003. Refer to your Rada Sense Programmer Software Manual.

OPERATION

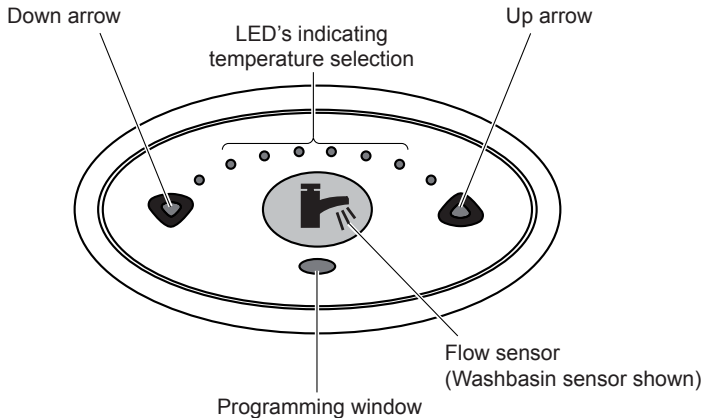
Position your hand anywhere in front of the control panel to activate the DMV. Water is delivered at a default temperature, refer to **SPECIFICATIONS**.

Note! The sensors are designed to operate at a distance of up to 30 mm. There is no need for the user to touch the control panel.

Position your hand over the Down arrow to obtain a cooler mix. When only the blue light is illuminated on the control panel, then only cold water is being supplied. If the blue light is flashing, then the minimum preset temperature is being delivered.

Position your hand over the Up arrow to obtain a hotter mix.

The water should flow until either it is switched off manually (by positioning your hand over the central logo, 'Flow sensor') or the programmed flow time duration has elapsed.



Duty Flush

The DMV incorporates an option for duty flush which can be selected with the aid of a programmer. If duty flush is selected and the DMV is not used for a period of time (pre-set waiting period) the standing water within the DMV will be flushed out.

Duty flush temperature, waiting period and flush period are preset at the factory but are not enabled. These settings can be activated or reset, refer to your Rada Sense Programmer Software CD and Manual.

Thermal Disinfection

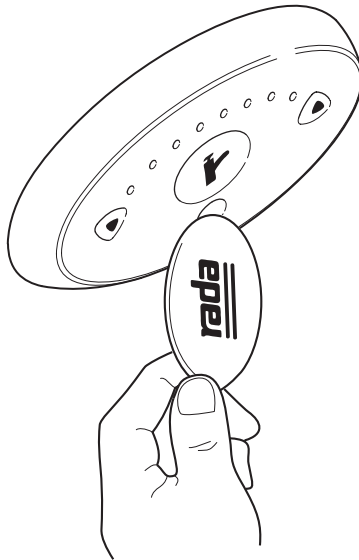
The DMV incorporates an option for disinfection which can be selected with the aid of a programmer. The default disinfection settings can be reset, refer to your Rada Sense Programmer Software CD and Manual.

CLEANING

The Rada Sense Control Panel may be temporarily disabled for cleaning purposes. Place the disable key (supplied) on the Rada Sense logo. This will disable the sensors for 30 minutes or until the disable key is reapplied.

External surfaces may be wiped clean with a soft cloth, and if necessary, a mild washing-up type detergent or soap solution can be used.

Caution: Plated or plastic fittings should only be cleaned using a mild washing up detergent or soap solution and wiped dry with a soft cloth.



FAULT DIAGNOSIS

Maintenance must be conducted by designated, qualified and competent personnel.

Warning! Isolate power supply and water supply when any maintenance work is carried out on the DMV.

The DMV may contain hot water, so care must be taken when draining the DMV of any residual water.

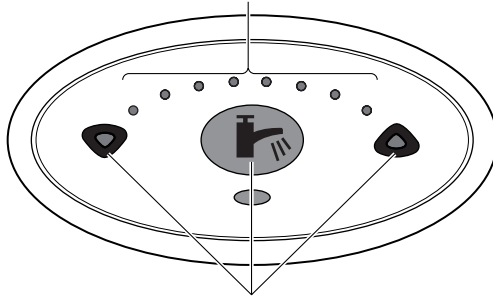
Caution! The inlet/outlet connections on the DMV, must be held tightly so that they do not move, when the connections are being loosened or tightened.

Symptom	Cause/Rectification
1. Control Panel not illuminated.	<ul style="list-style-type: none"> a. Check that you have the correct control panel or DMV for your application, refer to the silver label on the DMV. b. Control panel has been disabled : enable the control panel with the magnetic key, refer to CLEANING. c. The mains electricity has been disabled : check and rectify. d. The power supply unit has been disabled : check the fuse and connections. e. Electrical connections to/from the DMV have been disturbed : make sure the connections are secure. f. Memory requires resetting : switch the power supply to the DMV, OFF and then ON.
2. Only cold water from outlet.	<ul style="list-style-type: none"> a. No hot water reaching the DMV : check and rectify. b. The hot water inlet may be blocked : check strainer for any blockage. c. Installation conditions are outside the operating parameters : refer to SPECIFICATION. d. Hot and cold feeds connected to the wrong inlets : rectify.
3. Continuous flow.	<ul style="list-style-type: none"> a. System switches itself on and off. b. System will not switch off : isolate power supply/water supply and contact your Local Agent/Customer Services.
4. Hot water entering the cold supply or vice versa.	<ul style="list-style-type: none"> a. Remove and clean the checkvalve cartridges. Renew as necessary.

Symptom	Cause/Rectification
<p>5. Fluctuating or reduced flow rate. Normal function of the DMV when operating conditions are unsatisfactory.</p>	<p>a. The inlet and outlet fittings may be restricted : check the inlet and outlet strainers, refer to PLANNED MAINTENANCE.</p> <p>b. The water outlet pressure is low : check the flow rate is above the stated minimum, refer to SPECIFICATION.</p> <p>c. Fluctuating flow : make sure that dynamic inlet pressures are within specification, refer to SPECIFICATION.</p> <p>d. Fluctuating water temperature : make sure that the inlet temperature differentials are sufficient, refer to SPECIFICATION.</p>
<p>6. Blend temperature drift or temperature cycling.</p>	<p>a. Refer to symptoms 4 and 5.</p> <p>b. Hot water supply temperature fluctuation : check and rectify.</p>
<p>7. Maximum blend temperature setting too hot or too cool.</p>	<p>a. Incorrect maximum temperature setting : refer to COMMISSIONING.</p>
<p>8. Water leaking from the DMV.</p>	<p>Warning! Isolate mains electricity and water supply.</p> <p>a. Check that the connections are secure.</p> <p>b. Seal(s) worn or damaged on the inlet/outlet connections : obtain service pack and renew all seals.</p> <p>c. Internal leakage : unit requires overhaul.</p>
<p>9. LED's are flashing on the control panel and the DMV will not activate.</p>	<p>a. An error has been diagnosed, refer to Self-diagnostic Errors (following table).</p>
<p>10. The DMV keeps switching OFF before the completion of the programmed time flow period.</p>	<p>a. Blend temperature too hot : Reset the DMV by switching the power supply to the DMV OFF, then ON.</p> <p>b. Make sure that the inlet temperatures are within specification, refer to SPECIFICATION.</p> <p>If the fault has not been rectified, contact your Local Agent or Customer Care.</p>


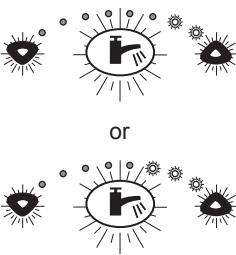




Self-diagnostic Errors

Error code is displayed by a combination of lit LED's



All three LEDs flash at the same time

Note! The washbasin control panel is shown.

Symptom	Cause/Rectification
	<p>The control panel and the DMV are not compatible.</p> <p>a. Check if you have the correct control panel for the DMV and rectify (refer to the silver label on the DMV).</p> <p>If the symptom has not been rectified, contact your Local Service Engineer or Agent.</p>
 <p>or</p> 	<p>The outlet temperature is too high or there's a thermistor fault.</p> <p>a. The inlet and outlet fittings may be blocked: check the inlet and outlet strainers</p> <p>b. Cold water supply failure: reinstate supply</p> <p>c. Safety circuit may require resetting: enable the control panel with the magnetic key to reset.</p> <p>If the symptom has not been rectified, contact your Local Service Engineer or Agent.</p>
	<p>Thermistor fault.</p> <p>a. Contact your Local Service Engineer or Agent.</p>
	<p>The stepper motor is stuck, the motor belt is broken or the mixer assembly is jammed.</p> <p>a. Contact your Local Service Engineer or Agent.</p>
	<p>The mixer assembly is jammed or very stiff.</p> <p>a. Contact your Local Service Engineer or Agent.</p>
<p>Any other combinations.</p>	<p>A fault has occurred on the control panel pcb.</p> <p>a. Memory may require resetting: switch the power supply to the DMV, OFF then ON.</p> <p>If the symptom has not been rectified, contact your Local Service Engineer or Agent.</p>

PLANNED MAINTENANCE

Field testing and maintenance of the DMV should be done in accordance with AS 4032.3.

Malfunction of the DMV is almost always progressive in nature and will be detected by the use of proper temperature checking and maintenance routines.

We recommend a preventative maintenance procedure based on site conditions and the risk to the user. All results must be recorded in a log book, please refer to AS 4032.3 Appendix E for typical format for reporting test results.

Healthcare

NSW Health, refer to:

- Policy Directive PD2005-344 and Circular - Requirements for the provision of cold and heated water.
- The Code of Practice for Thermostatic Mixing Valves (Hosplan) and for other states refer to AS 4032.3.

Healthcare applications are hospitals, aged person facilities, residential care homes, etc. and any other applications where the user is similarly at risk.

Ultimately, the user or attendant must exercise diligence to make sure that the delivery of warm water is at a stable, safe temperature. This is particularly important in such procedures as supervised bathing where patients are unable to respond immediately to unsafe temperatures.

Irrespective of supply and usage conditions or the evidence of in-service tests, the critical components listed in the table below, should be replaced at intervals of no more than 5 years.

Note! During the replacement of critical components, it may be necessary to replace other non-critical components.

Critical Components

Pack Number	Description
463.31	DMV solenoid manifold (open)
463.07	Thermistor pack

Frequency of In-service Tests

Healthcare

Follow the procedure detailed in the flow diagram “In-service Test Procedure”. This procedure must be followed 6 to 8 weeks after commissioning and 12 to 15 weeks after commissioning. The recorded blend temperature ^(Tb) from these two tests will determine the maximum frequency for future service intervals.

Result of 6-8 week tests	Result of 12-15 week tests	Next service interval
$\leq 1\text{ }^{\circ}\text{C}$	$\leq 1\text{ }^{\circ}\text{C}$	9 - 12 weeks
$> 1\text{ }^{\circ}\text{C}$	$\leq 1\text{ }^{\circ}\text{C}$	9 - 12 weeks
$\leq 1\text{ }^{\circ}\text{C}$	$> 1\text{ }^{\circ}\text{C}$	9 - 12 weeks
$> 1\text{ }^{\circ}\text{C}$	$> 1\text{ }^{\circ}\text{C}$	6 - 9 weeks

The subsequent in-service test results should be used as a guide, in conjunction with a suitable risk assessment, to determine the schedule of future in-service tests.

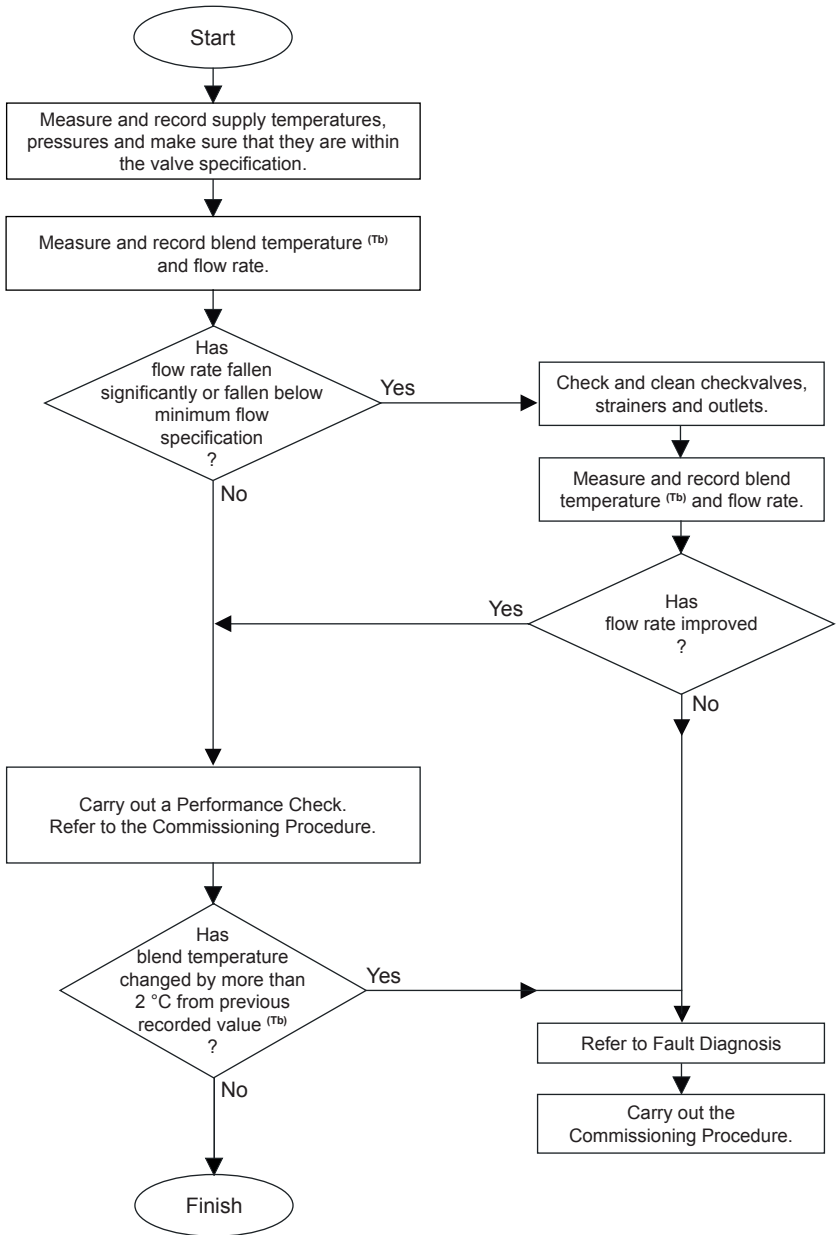
More regular temperature checks should be made where increased risks are perceived, i.e. patients are unable to immediately respond to an increase in water temperature, by either shutting the water off or removing themselves from contact with the water.

Maintenance personnel should also make sure that the staff are aware of the importance of reporting temperature variations and when detected, these should be recorded in the Log Book.

Commercial

Check for correct blend setting every 6 months.

Follow the procedure detailed in the flow diagram “In-service Test Procedure”, at least every 12 months.



Note! All measurements and results should be recorded in the Log Book.

Flow diagram In-service Test Procedure

Checkvalves and Filters

Isolate the supplies to the DMV and operate the control panel to release pressure and to assist the draining of residual water.

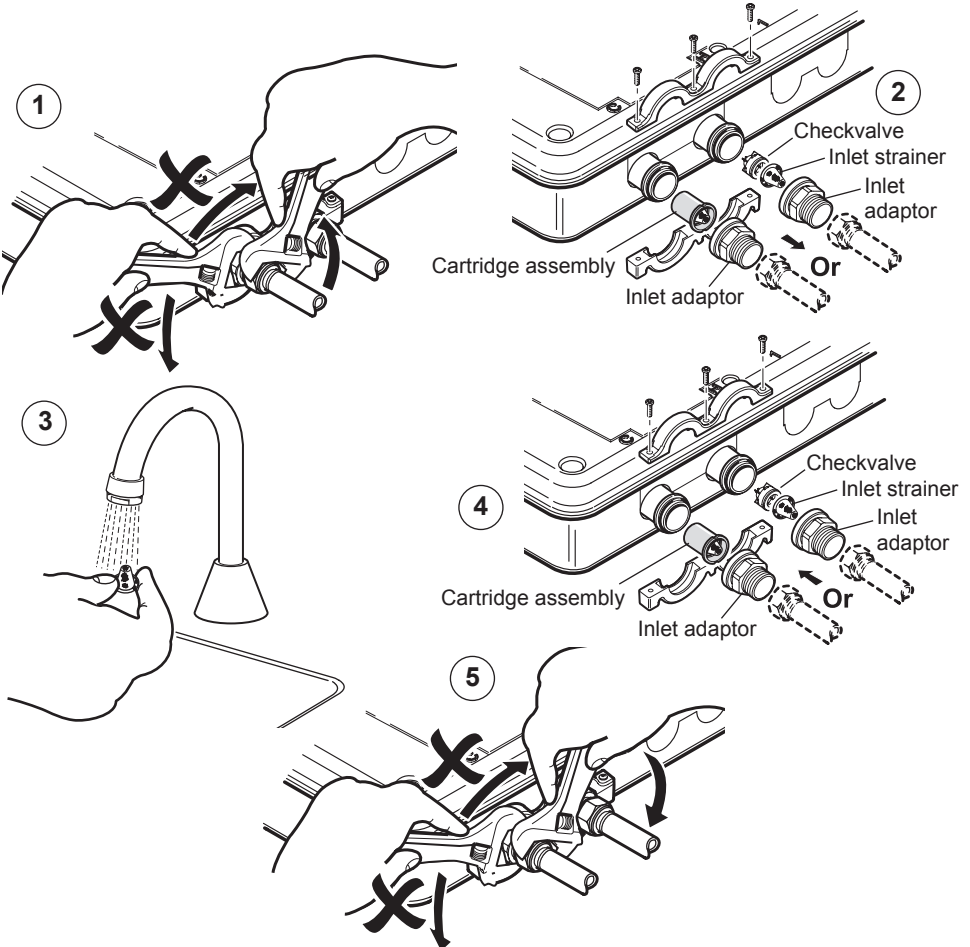
Warning! The DMV may contain hot water, so care must be taken when draining the valve of any residual water.

Note! The DMV have checkvalve and filter packs (cartridge assemblies) or checkvalves and strainers fitted.

The checkvalve cartridge or checkvalve and strainer may be removed for cleaning. Inlet strainers can be flushed through under a jet of water to remove any lodged particles.

Caution! The checkvalves are not serviceable items, so any apparent wear or damage will require their renewal.

Note! Make sure all components are clean before refitting the 'O' seals. To assist in refitting, lightly wipe the 'O' seals with a **silicone-only based lubricant**.



Restore the hot and cold water supplies. Check that there are no water leaks.

NOTES

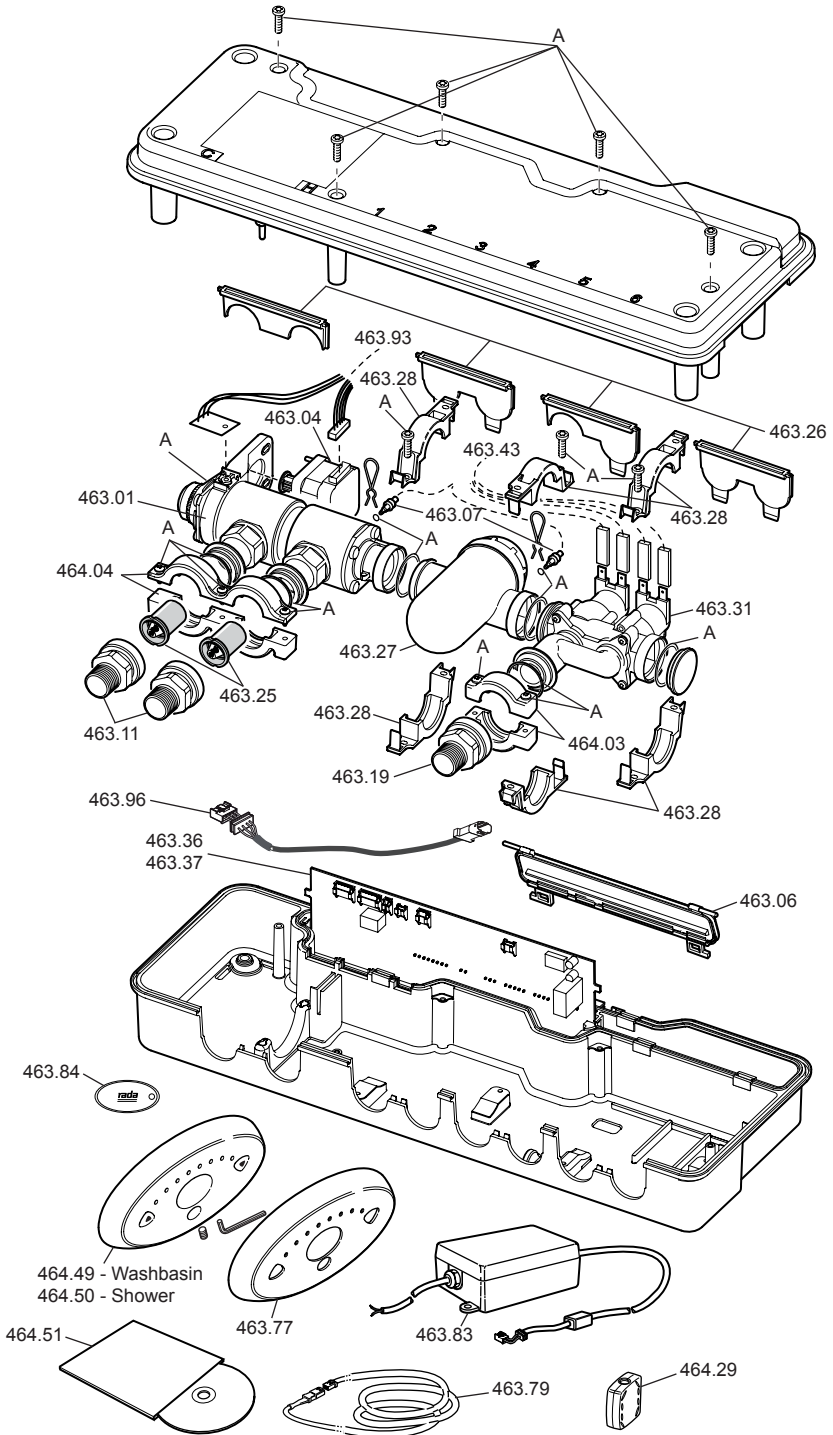
SPARE PARTS

Note! If fixing screws, grommets, 'O' rings or seals are disturbed, these parts will be included with the spare part.

- 463.01** **C2 Valve Assembly** - *Includes Stepper Motor, Stepper Loom, Checkvalve and Filter Pack, Inlet Saddle Clamps and Thermistor Clip*
- 463.04** **Stepper Motor Assembly** - *Includes Timing Belt*
- 463.05** **Seal Screw Pack** - *Components Identified 'A'*
- 463.06** **Cable Cover Pack**
- 463.07** **Twin Thermistor Pack**
- 463.11** **Inlet Adapters 1/2 BSP** - *x2 Adapters and Inlet Saddle Clamps*
- 463.19** **Outlet Adapter 1/2 BSP** - *x1 Adapter and Outlet Saddle Clamps*
- 463.25** **Checkvalve and Filter Pack (Cartridge Assembly)**
- 463.26** **Blanking Plate Pack**
- 463.27** **Damping Chamber**
- 463.28** **Internal Saddle Clamp**
- 463.31** **Solenoid Manifold (Open)** - *Includes Manifold Cap and Internal Saddle Clamps*
- 463.36** **Control PCB RADA C2/C4 B** - *Programmed with Basin Software*
- 463.37** **Control PCB RADA C2/C4 S** - *Programmed with Shower Software*
- 463.43** **Wiring Loom W/S/B/HP**
- 464.49** **Rada Sense Washbasin Control Panel**
- 464.50** **Rada Sense Shower Control Panel**
- 463.77** **Rada Sense Panel Cover 3 Sens (Chrome)**
- 464.51** **Rada Sense Software Programmer CD (Aus)**
- 463.83** **12 V DC 45 W Power Supply Unit (PSU)**
- 463.84** **Rada Sense Disable Key** - *x4*
- 463.93** **Stepper Motor Loom**
- 463.96** **DMV Data Cable**
- 464.03** **Outlet Saddle Clamps**
- 464.04** **Inlet Saddle Clamps**
- 464.29** **Suppression Ferrite**

ACCESSORIES

- 463.79** **Extension Lead** - *3 m*



CUSTOMER CARE

Guarantee of Quality

Kohler Mira Limited guarantee this product against any defect in materials or workmanship for a period of two years from the date of purchase.

To be covered by this guarantee, service work must only be undertaken by Kohler Mira Limited or by their approved agents.

Not covered by this guarantee

Damage or defects arising from incorrect installation, improper use or failure to maintain in accordance with the instructions in this product manual, including the build-up of limescale. Defects or damage if the product is taken apart, repaired or modified by a person not authorised by Kohler Mira Limited or by their approved agents.

After Sales Service - how we can help you

We have a network of fully trained staff ready to provide assistance, should you experience any difficulty operating your Rada equipment.

Spare Parts

All functional parts of Rada products are kept for up to ten years from the date of final manufacture. If during that period, our stock of a particular part is exhausted we will, as an alternative, provide an equivalent new product or part at a price equating to the cost of repair to the old, bearing in mind the age of the product.

All spares are guaranteed for 12 months from date of purchase. Spares that have been supplied directly from us can be returned within one month from date of purchase, providing that they are in good order and the packaging is unopened.

Note! Returned spares will be subject to a 15% restocking charge and authorisation must be obtained before return.

Customer Care Policy

If within a short space of time of installation the product does not function correctly, first check with the operation and maintenance advice provided in this Product Manual to see if the difficulty can be overcome. Failing this, contact your installer to make sure that the product has been installed and commissioned in full accord with our detailed installation instructions. If this does not resolve the difficulty, please ring your nearest Rada contact, who will give you every assistance and if appropriate, arrange for your local service engineer or agent to call on a mutually agreeable date.

Contact:

Thornthwaite Technologies Pty Ltd

Howthorn House, 79 Victoria Avenue,

Chatswood, Sydney,

New South Wales, **AUSTRALIA**

Tel: 029 417 4466 Fax: 029 417 5231

www.thornthwaite.com.au

Rada is a registered trade mark of
Kohler Mira Limited.

The company reserves the right to alter
product specifications without notice.

www.radacontrols.com

rada

