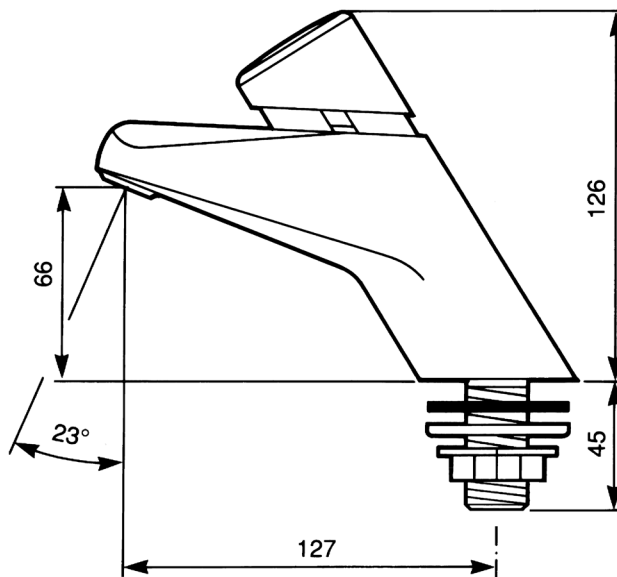


01 Presto 2000 Timed Flow Tap



Line Drawings

06



02 Product Part Numbers

Product Description	Part No
Presto 2000 timed flow tap 7.5 sec \pm 2.5 sec	P20024
Presto 2000 S timed flow tap 7.5 sec \pm 2.5 sec	P20107

03 To Specify

Basin-mounted timed flow push-button tap with automatic shut-off after 7.5 \pm 2.5 seconds. Incorporates a self cleaning mechanism, anti-corrosive and anti-liming internal components, dezincification-resistant (DR) brass body and 4 L/min flow regulator. Also available with S® security system to prevent continuous water flow. Approvals: AS/NZS 3718, WELS 6 stars.

04 Approvals



05 CAD Drawings

CAD drawings can be obtained by contacting us on (02) 9417 4466 or by emailing your request to enquiries@thornthwaite.com.au.