

01 Rada Mono 120 Sensor Operating System



02 Product Part Numbers

Product Description	Part No
Rada Mono 120 sensor operating system - for basins	650901
Rada Mono 120 sensor operating system - for showers	750904

03 To Specify

Each outlet (basin or shower) to be served by one wall mounted Rada Mono 120 sensor operating system for 'no-touch' flow control. Complete with active infra-red sensor, 1/2" BSPM solenoid valve, isolating ball valve and 6 L/Min flow regulator (basins only).

Approvals: AS/NZS 3718; WELS (basins) 6 stars, 6 L/min. Shower flow rate is determined by shower head.

04 Approvals



05 CAD Drawings

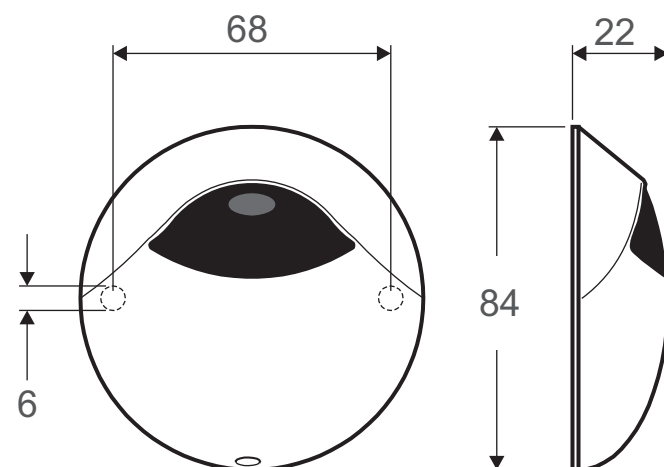
CAD drawings can be obtained by contacting us on (02) 9417 4466 or by emailing your request to enquiries@thornthwaite.com.au.

Thornthwaite Technologies Pty Ltd
79 Victoria Avenue Chatswood NSW 2067
Tel: (02) 9417 4466 Fax: (02) 9417 5231 Email: enquiries@thornthwaite.com.au

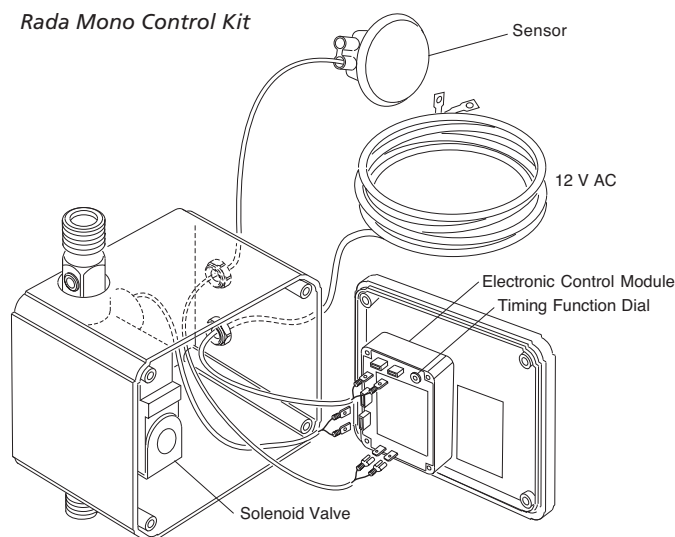
Line Drawings

06

Rada 120 Sensor



Rada Mono Control Kit



About Rada Mono Control

07

Rada Mono Control sensor kits provide everything required to activate water flow to a single outlet.

Each kit includes the sensor, installation box (control module, solenoid valve, inlet isolating ball valve, 12 V AC transformer and flow regulator (washbasins)).

Sensors are supplied with 3m cable which can be extended by using CAT5 UTP or CAT5 STP twisted pair data cable (not supplied).

With Mono Control, your washroom will have many of the benefits of Rada Pulse: hands-free washing, sensor-activated timed flow and automatic shut-off.