

01 Rada Mono 122 Sensor Operating System



02 Product Part Numbers

Product Description	Part No
Rada Mono 122 sensor operating system - for urinals (1 stall)	850911

03 To Specify

Each urinal stall to be served by one wall mounted Rada Mono 122 urinal flushing system for 'no-touch' flushing. Complete with active infra-red sensor, 1/2" BSPM solenoid valve, isolating ball valve and air gap.

Approvals: ATS 5200.020; WELS - 4 stars 1.4L flush

04 Approvals



05 CAD Drawings

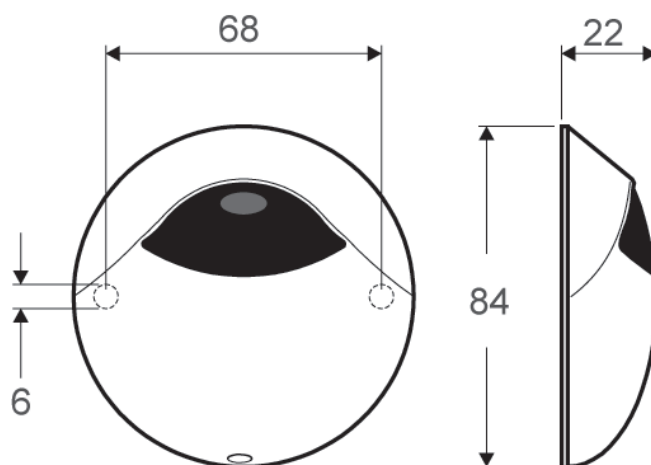
CAD drawings can be obtained by contacting us on (02) 9417 4466 or by emailing your request to enquiries@thornthwaite.com.au.

Thornthwaite Technologies Pty Ltd
79 Victoria Avenue Chatswood NSW 2067
Tel: (02) 9417 4466 Fax: (02) 9417 5231 Email: enquiries@thornthwaite.com.au

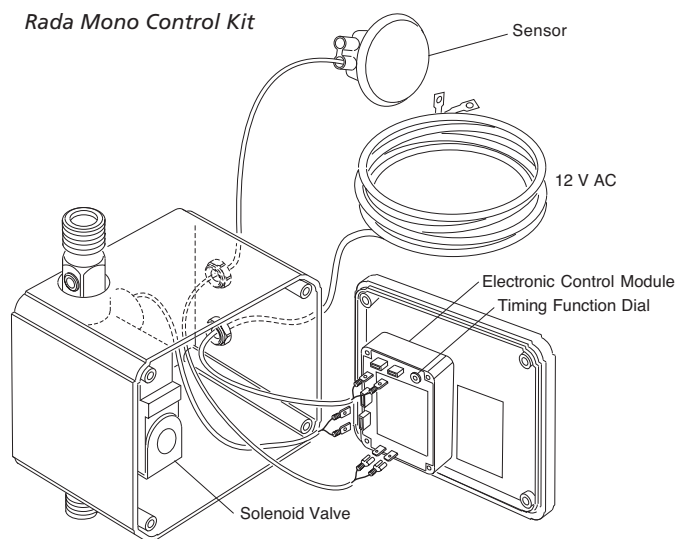
Line Drawings

06

Rada 122 Sensor



Rada Mono Control Kit



About Rada Mono Control

07

Rada Mono Control sensor kits provide everything required to activate water flow to a single outlet.

Each kit includes the sensor, installation box (control module and solenoid valve, inlet isolating ball valve, 12 V AC transformer and air gap (for urinals).

Sensors are supplied with 3m cable which can be extended by using CAT5 UTP or CAT5 STP twisted pair data cable (not supplied).