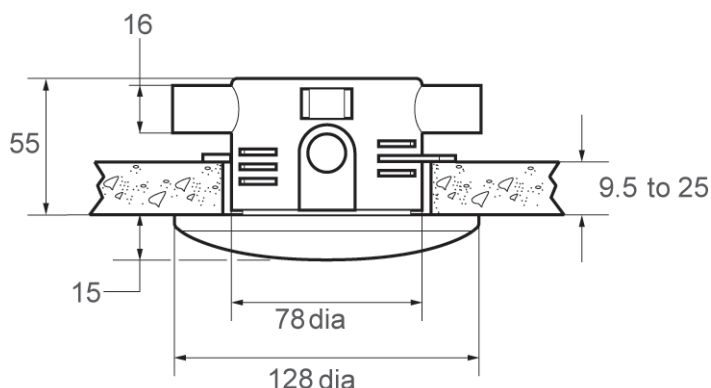


### 01 Rada Pulse 124 Sensor Operating System



### Line Drawings

06



### 02 Product Part Numbers

Product Description	Part No
Rada Pulse 124 sensor operating system - for basins	650651

### About Rada Pulse

07

**Rada Pulse** controls water flow to up to 10 outlets, including basins, showers and/or urinals.

Each outlet has its own sensor operating system that is linked to a central control box, where each outlet is programmed via a hand-held programmer.

For Rada Pulse, you will need to order the following:

- Up to 10 sensor operating kits
- 1 x Rada Pulse Control Box per ten outlets
- 1 x Handheld programming unit

Each sensor kit comes complete with a sensor, solenoid valve, inlet isolating ball valve and flow regulator (for washbasins).

Sensors are supplied with 3m cable which can be extended by using CAT5 UTP or CAT5 STP twisted pair data cable (not supplied). Solenoid cable not supplied.

### 03 To Specify

Each basin outlet to be served by one ceiling mounted Rada Pulse 124 sensor operating system for 'no-touch' flow control. Complete with passive infra-red sensor, 1/2" BSPM solenoid valve, isolating ball valve and 6 L/Min flow regulator (basins only).

Approvals: AS/NZS 3718; WELS (basins) 6 stars, 6 L/min.

### 04 Approvals (Rada Pulse System)



Tap Equipment



### 05 CAD Drawings

CAD drawings can be obtained by contacting us on (02) 9417 4466 or by emailing your request to enquiries@thornthwaite.com.au.