

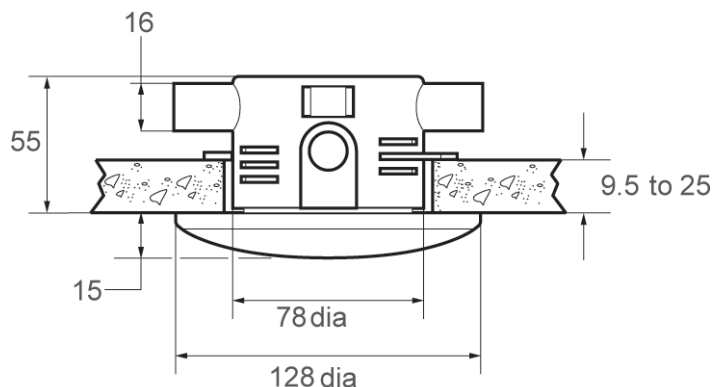
01 Rada Mono 125 / 126 Sensor Operating System



Line Drawings

06

Rada 125/126 Sensor



02 Product Part Numbers

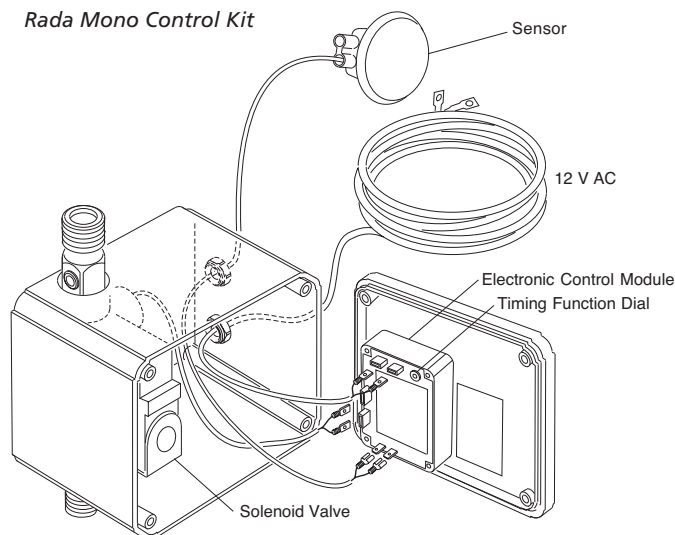
Product Description	Part No
Rada Mono 125 sensor operating system - for urinals (1 stall)	850931
Rada Mono 126 sensor operating system - for urinals (2 stalls)	850941

03 To Specify

One ceiling mounted Rada Mono urinal flushing system for 'no-touch' flushing to serve a single stall (125 system) or 2 stalls (126 system). Complete with active infra-red sensor, 1/2" BSPM solenoid valve, isolating ball valve and air gap.

Approvals: ATS 5200.020; WELS - 125: 4 stars 1.4L flush; 126: 1 star 2L flush per stall.

Rada Mono Control Kit



04 Approvals



About Rada Mono Control

07

Rada Mono Control sensor kits provide everything required to activate water flow to a single outlet.

Each kit includes the sensor, installation box (control module and solenoid valve, inlet isolating ball valve, 12 V AC transformer and air gap (for urinals).

Sensors are supplied with 3m cable which can be extended by using CAT5 UTP or CAT5 STP twisted pair data cable (not supplied).

05 CAD Drawings

CAD drawings can be obtained by contacting us on (02) 9417 4466 or by emailing your request to enquiries@thornthwaite.com.au.