

01 Rada Pulse 129 Sensor Operating System



02 Product Part Numbers

Product Description	Part No
Rada Pulse 129 sensor operating system - for basins	650681
Rada Pulse 129 sensor operating system - for showers	750684

Also available as Rada Mono Control Kits

03 To Specify

Each outlet (basin or shower) to be served by one wall mounted Rada Pulse 129 sensor operating system for 'no-touch' flow control. Complete with active infra-red sensor, 1/2" BSPM solenoid valve, isolating ball valve and 6 L/Min flow regulator (basins only).

Approvals: AS/NZS 3718; WELS (basins) 6 stars, 6 L/min. Shower flow rate is determined by shower head.

04 Approvals (Rada Pulse System)



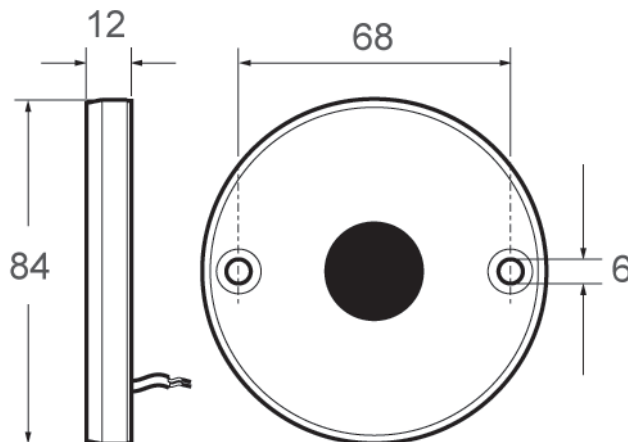
05 CAD Drawings

CAD drawings can be obtained by contacting us on (02) 9417 4466 or by emailing your request to enquiries@thornthwaite.com.au.

Thornthwaite Technologies Pty Ltd
 79 Victoria Avenue Chatswood NSW 2067
 Tel: (02) 9417 4466 Fax: (02) 9417 5231 Email: enquiries@thornthwaite.com.au

Line Drawings

06



About Rada Pulse

07

Rada Pulse controls water flow to up to 10 outlets, including basins, showers and/or urinals.

Each outlet has its own sensor operating system that is linked to a central control box, where each outlet is programmed via a hand-held programmer.

For Rada Pulse, you will need to order the following:

- Up to 10 sensor operating kits
- 1 x Rada Pulse Control Box per ten outlets
- 1 x Handheld programming unit

Each sensor kit comes complete with a sensor, solenoid valve, inlet isolating ball valve and flow regulator (for washbasins).

Sensors are supplied with 3m cable which can be extended by using CAT5 UTP or CAT5 STP twisted pair data cable (not supplied). Solenoid cable not included.