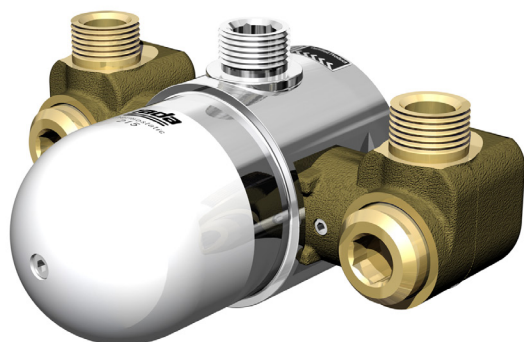


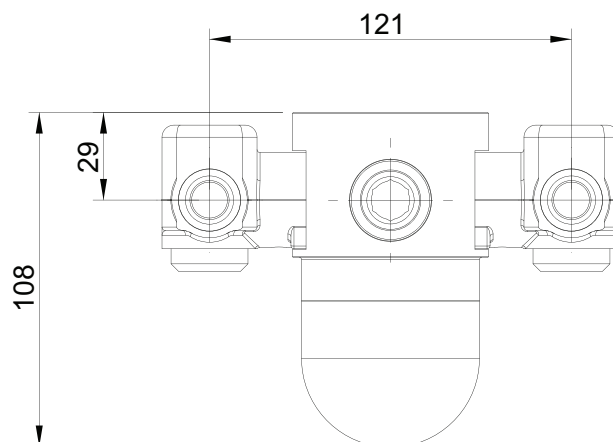
Rada 215bk Thermostatic Mixing Valve

01 Rada 215bk Thermostatic Mixing Valve



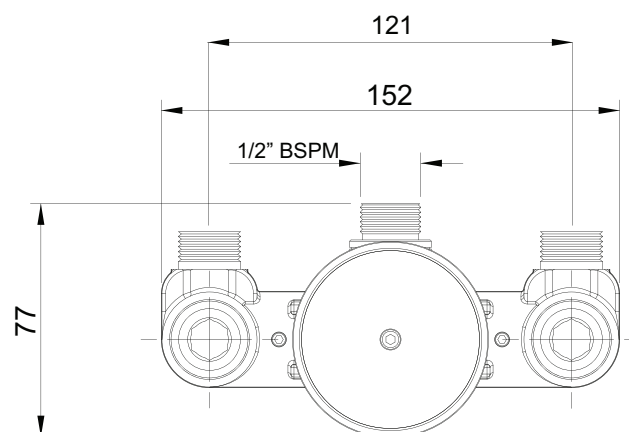
Line Drawings

06



02 Product Part Numbers

Product Description	Part No
Rada 215bk Thermostatic Mixing Valve	40863
Rada 215bk/oemk mounting plate	R20068



03 To Specify

Rada 215bk thermostatic mixing valve. Flow rate 2.5 - 50 L/min. Incorporating a sealed-for-life, service free Radatherm cartridge; and inlet check valve & strainer cartridges. Inlets and outlet 1/2" BSPM. Approvals: AS 4032.1 and NSW Health.

04 Approvals



NSW HEALTH APPROVED



05 CAD Drawings

CAD drawings can be obtained by contacting us on (02) 9417 4466 or by emailing your request to enquiries@thornthwaite.com.au.