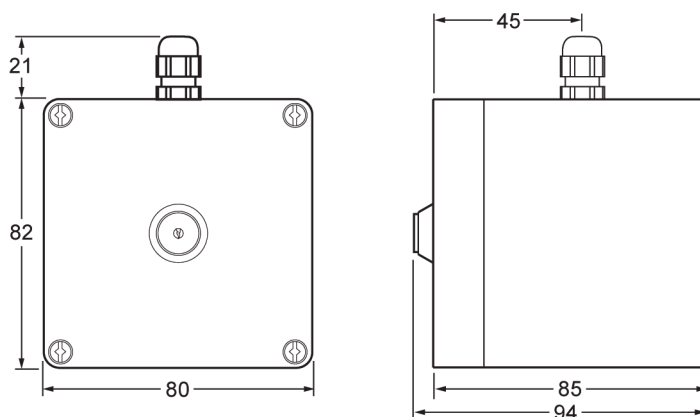


01 Rada Pulse Operating Key Switch



Line Drawings

06



02 Product Part Numbers

Product Description	Part No
Rada Pulse Operating Key Switch	1495.081

Rada Pulse Components

07

Rada Pulse controls water flow to up to 10 outlets, including basins, showers and/or urinals.

Each outlet has its own sensor operating system that is linked to a central control box, where each outlet is programmed via a hand-held programmer.

For Rada Pulse, you will need to order the following:

- Up to 10 sensor operating kits
- 1 x Rada Pulse Control Box per ten outlets
- 1 x Handheld programming unit

Each sensor kit comes complete with a sensor, solenoid valve, inlet isolating ball valve and flow regulator (for washbasins).

03 To Specify

Rada Pulse Operating Key Switch for the manual operation of multiple outlets by authorised key holders.

04 CAD Drawings

CAD drawings can be obtained by contacting us on (02) 9417 4466 or by emailing your request to enquiries@thornthwaite.com.au.

05 Programming

The Rada Operating Key Switch can be used in secure facilities such as prisons to turn the entire Rada Pulse system on and off as required.