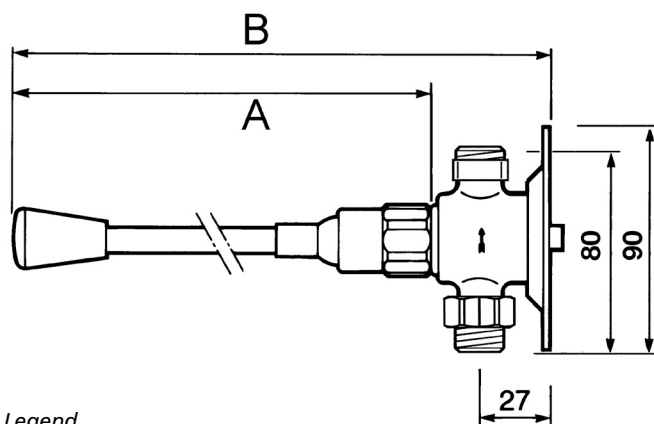


01 Presto 712 Valve



Line Drawings

06



Legend

	712	712 S
A	340	180
B	390	230

02 Product Part Numbers

Product Description	Part No
Presto 712 Knee valve 15 sec \pm 5 sec	P31685
Presto 712 S Knee valve, Security, short Lever 15 sec \pm 2.5 sec	P31677

03 To Specify

Knee operated timed flow valve with automatic shut-off after 15 \pm 5 seconds. Incorporates a self cleaning mechanism, anti-corrosive and anti-liming internal components, dezincification-resistant (DR) brass body and 5.5 L/min flow regulator. Also available with a short lever and S@ security system to prevent continuous water flow. Approvals: AS/NZS 3718, WELS 5 stars.

04 Approvals



05 CAD Drawings

CAD drawings can be obtained by contacting us on (02) 9417 4466 or by emailing your request to enquiries@thornthwaite.com.au.