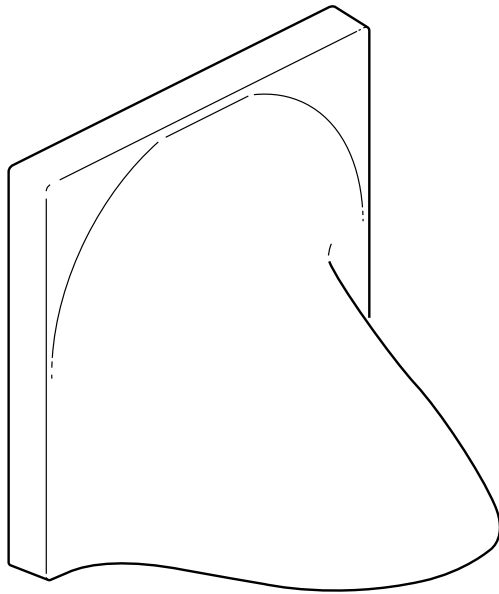




Ligature Resistant Head



PRODUCT MANUAL

IMPORTANT

INSTALLER: This product manual is the property of the customer and must be retained with the product for maintenance and operational purposes.

CONTENTS

Introduction	3
Design Registration	3
Pack Contents	4
specifications	5
Dimensions	6
Flow Rates	6
Shower and Basin Spray Projections	7
Installation	8
General.....	8
Flow Regulator Removal	8
Cartridge Replacement	8
Installing the LR Head	9
Maintenance	12
Cleaning	12
Fault Diagnosis	12
Spares	13
Notes	14
Customer Care	Back Page

INTRODUCTION

The Rada Ligature Resistant Head (LR Head) is suitable for showering and handwashing use. Vandal resistant, designed to be recessed or built within the wall surface. Ideal for use in prisons and secure psychiatric facilities.

Fitted with an 8 L/Min spray cartridge providing consistent, efficient shower performance. A separate 5 L/Min flow straightener is supplied for basin use. For connection to concealed pipework using a 1/2" BSP fitting.

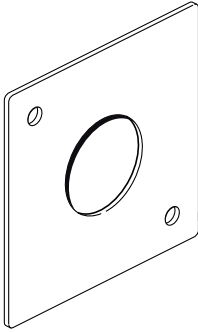
Design Registration

Design Registration	000709852-0001
---------------------	----------------

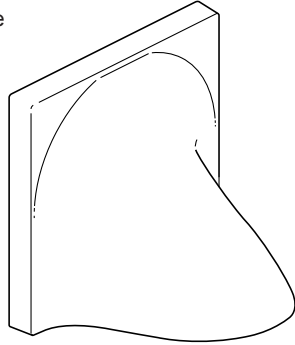
If you experience any difficulty with the installation or operation of your new LR Head, please read this product manual carefully before contacting Kohler Mira Ltd. Our contact details can be found on the back cover of this guide.

PACK CONTENTS

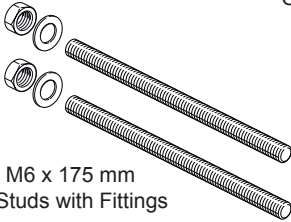
Tick the appropriate boxes to familiarise yourself with the part names and to confirm that all of the parts are included.



1 x LR Head Backplate



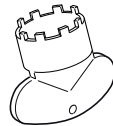
1 x LR Head
(Fitted with an 8 L/Min Spray Cartridge for Shower Applications)



2 x M6 x 175 mm
Fixing Studs with Fittings



1 x 5 L/Min Flow Straightener
for Basin Applications



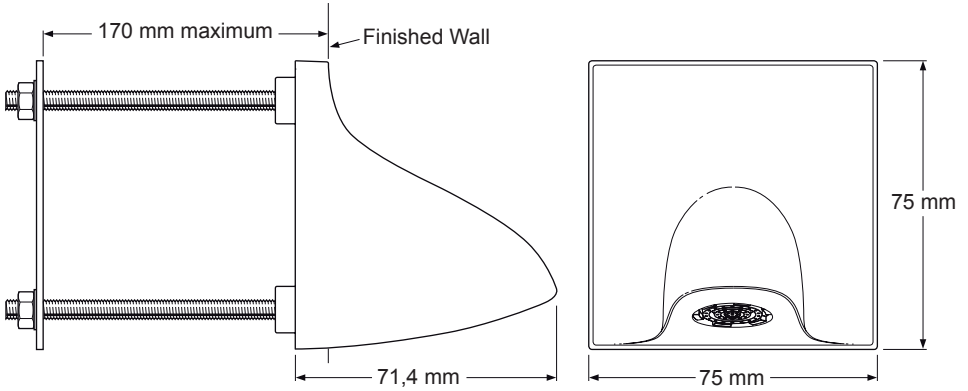
1 x Cartridge Key

SPECIFICATIONS

Temperature Range	Designed to accept water supplied between 5° C and 65° C
Pressure Range	Recommended minimum maintained pressure at the inlet of the fitting 1.5 bar. Maximum maintained pressure at the inlet of the fitting 5.0 bar (integral flow regulator fitted)
Connections	1/2" BSP fitting (female thread)
Composition/Manufacture	All materials are corrosion resistant
Body	Brass, polished chrome finish
Spray Cartridge	Engineering plastic

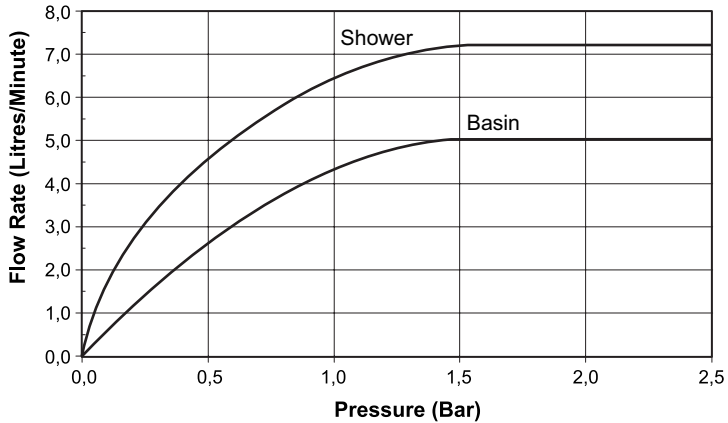
1. Installations must comply with all Local/National Water Regulations/Bye-laws (Scotland), Building and Plumbing Regulations.
2. **Warning!** Continued use of this product in conditions outside the limits listed in this section can severely affect the performance and reduce the effective service life, and can present potential risk to users.
3. **Disinfectants:** In applications where system chemical disinfection is practised, chlorine can be used (calculated chlorine concentration of 50 mg/l [ppm] maximum in water, per one hour dwell time), at service interval frequency. Such procedures must be conducted strictly in accordance with the information supplied with the disinfectant and with all relevant Guidelines/Approved Codes of Practice. If in any doubt as to the suitability of chemical solutions, refer to Kohler Mira Limited, or your Local Agent.

DIMENSIONS



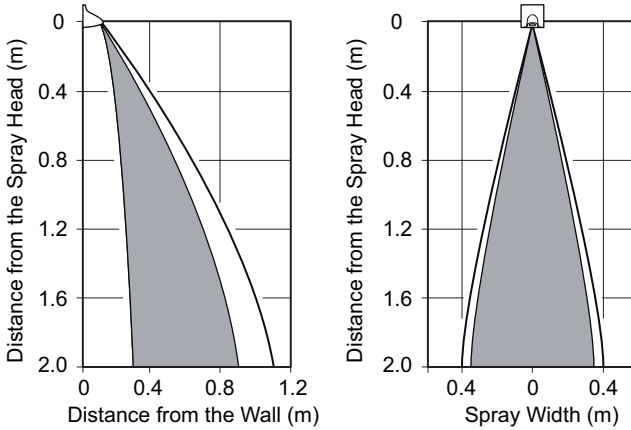
Note! The M6 fixing studs supplied allow the head to be attached through a wall to a maximum thickness of 165 mm. If longer M6 fixing studs are required, these will have to be purchased through your local supplier.

Flow Rates

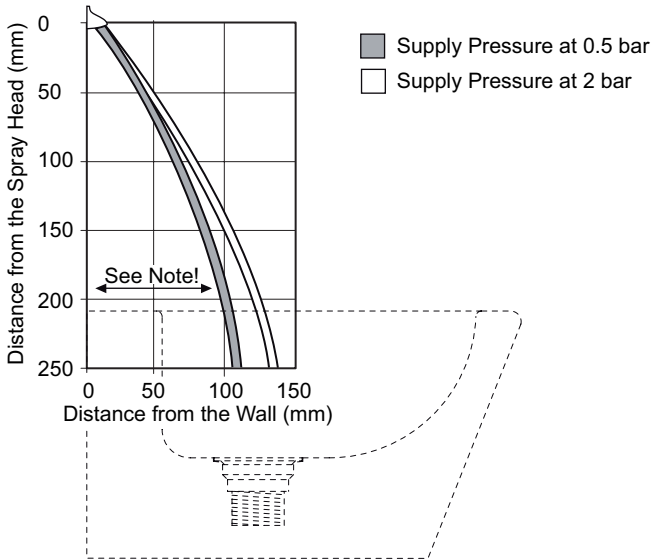


Shower and Basin Spray Projections

Shower



Basin Spout



Note! The basin spout is designed for secure areas and is suitable where projection between the wall and the basin is kept to a minimum. Consideration must be given to the basin dimensions and positioning in relation to the spout spray projection, allowing for a minimum of 40 mm clearance over the rim of the basin.

INSTALLATION

General

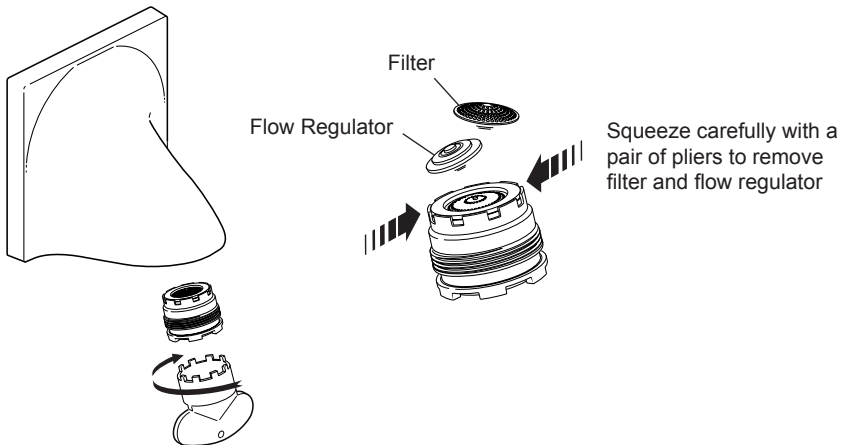
Installation must be carried out in accordance with these instructions, and must be conducted by designated, qualified and competent personnel.

Important! The instructions contained in this product manual are for the installation of the LR Head only. If the LR Head is to be used in a controlled washroom environment, for example using a Rada Pulse System, please read both product manuals before installing your LR Head.

Flow Regulator Removal

1. Use the supplied cartridge key to remove the spray cartridge from the LR Head.
2. Carefully remove the domed filter and flow regulator from the spray cartridge.
Note! Use a pair of pliers and gently squeeze the top of the filter housing in order to remove the filter and flow regulator.
3. Discard the flow regulator then refit the domed filter.
4. Refit the spray cartridge into the LR Head using the supplied cartridge key.

Cartridge Replacement



If the LR Head is to be used in a basin application you will need to replace the 8 L/Min spray cartridge with the 5 L/Min flow straightener.

1. Use the supplied cartridge key to remove the spray cartridge from the LR Head.
2. Install the flow straightener into the LR Head using the supplied cartridge key.

Installing the LR Head

1. Decide on a suitable location for the LR Head.
2. Position the LR Head backplate onto the level finished wall.
Note! Use a spirit level to make sure that the LR Head backplate is horizontal. Make sure the M6 fixing studs holes are in the correct position for the LR Head.
3. Mark the positions for the M6 fixing studs holes and the centre for the supply pipe.
4. Drill pilot holes for the centres of the three holes.
5. Use an electrical box sinker tool to recess the wall to a depth of 10.5 mm (± 1 mm).

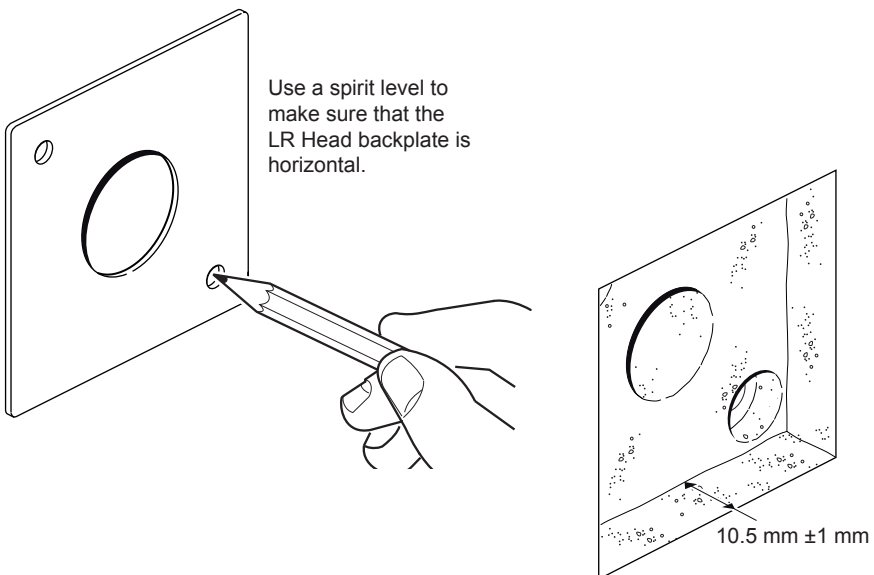
Caution! The LR Head MUST be recessed or built within the wall (i.e. flush with the finished wall surface) to deliver maximum resistance to ligature and vandalism.

Note! The LR Head is the same size as a single electrical mounting box and the recommended method of recessing the LR Head is to use an Electrical Box Sinker Tool. An alternative method would be stitch drilling, then to use a club hammer and chisel.

6. To allow for the lugs on the rear of the LR Head, the fixing stud holes will require a further recess of $\text{Ø}20$ mm x 10 mm (± 1 mm).

Note! It's recommended to use a $\text{Ø}10$ mm and then a $\text{Ø}20$ mm drill bit.

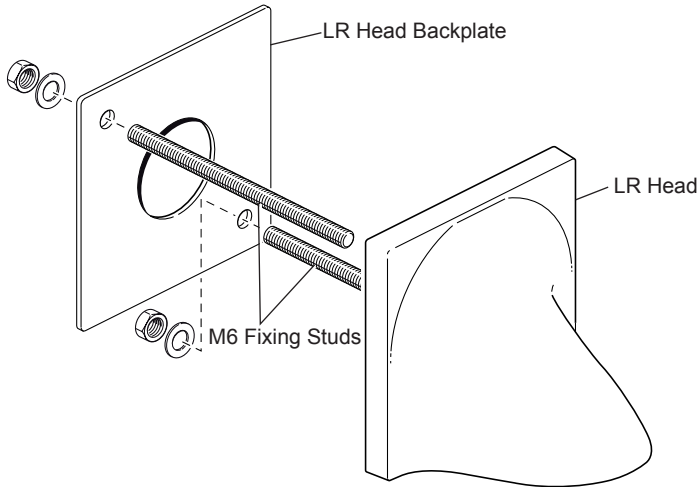
7. Check that the LR Head can be installed flush with the finished wall.
8. Drill the centre hole ($\text{Ø}30$ mm) to allow for the supply pipe and fittings.



9. Attach a 1/2" BSP fitting (not supplied) to the LR Head.

Note! Inlet and outlet threaded joint connections should be made with PTFE tape or liquid sealant. Do not use oil-based, non-setting joint compounds.

Caution! Care must be taken when making this joint as leaks may not be evident as the product is installed within the wall.

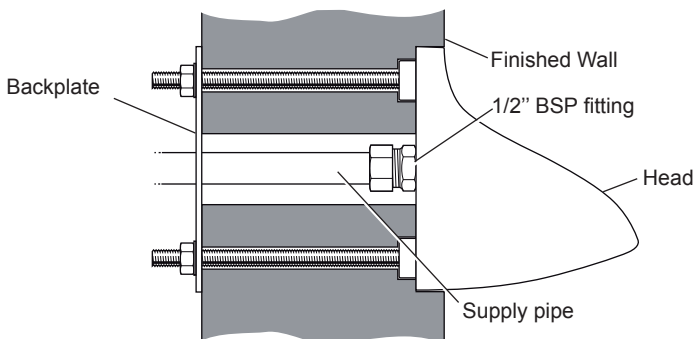


10. Fit the nut and olive onto the 15 mm copper supply pipe and attach the pipe to the 1/2" BSP fitting.

Caution! Care must be taken when making this joint as leaks may not be evident as the product is installed within the wall.

11. Attach the M6 fixing studs to the LR Head and fit into the wall.

12. Place the LR Head backplate/washers over the M6 fixing studs and secure with the nuts.



- 13.** Grout around the LR Head with a hard setting compound.
- 14.** The main supply pipe can now be attached to the LR Head supply pipe.
- 15.** To eliminate pipe debris, it is essential that the supply pipes are thoroughly flushed through before running the LR Head.
 - 15.1** Use the supplied cartridge key to remove the spray cartridge or flow straightener from the LR Head.
 - 15.2** Turn on the water supply to the LR Head and flush the pipework thoroughly.
 - 15.3** Turn off the water supply and refit the spray cartridge or flow straightener.
- 16.** This completes the installation of the LR Head.

MAINTENANCE

Cleaning

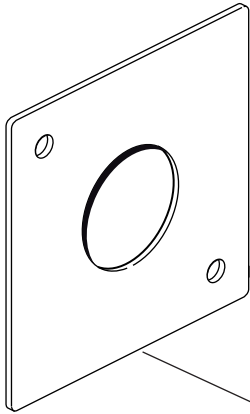
Many cleaners contain abrasive and chemical substances and should not be used for cleaning plated or plastic fittings. These finishes should be cleaned with a mild washing up detergent or soap solution and then wiped dry using a soft cloth.

FAULT DIAGNOSIS

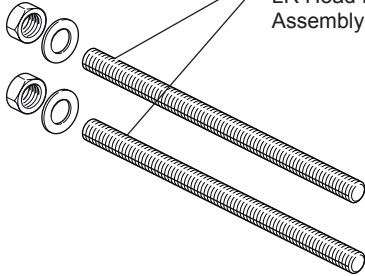
If the LR Head is being used as part of a controlled washroom system, please refer to the fault diagnosis of the system product manual.

Note! The spray cartridges are not serviceable items, so any reduced flow or damage will require their renewal.

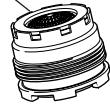
SPARES



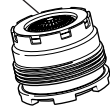
1640.033
LR Head Backplate
Assembly



1640.034
Shower Spray Cartridge



1640.035
Basin Flow Straightener



NOTES

NOTES

CUSTOMER CARE

Guarantee of Quality

Kohler Mira Limited guarantee this product against any defect in materials or workmanship for a period of two years from the date of purchase.

To be covered by this guarantee, service work must only be undertaken by Kohler Mira Limited or by their approved agents.

Not covered by this guarantee

Damage or defects arising from incorrect installation, improper use or failure to maintain in accordance with the instructions in this product manual, including the build-up of limescale. Defects or damage if the product is taken apart, repaired or modified by a person not authorised by Kohler Mira Limited or by their approved agents.

After Sales Service - how we can help you

We have a network of fully trained staff ready to provide assistance, should you experience any difficulty operating your Rada equipment.

Spare Parts

All functional parts of Rada products are kept for up to ten years from the date of final manufacture. If during that period, our stock of a particular part is exhausted we will, as an alternative, provide an equivalent new product or part at a price equating to the cost of repair to the old, bearing in mind the age of the product.

All spares are guaranteed for 12 months from date of purchase. Spares that have been supplied directly from us can be returned within one month from date of purchase, providing that they are in good order and the packaging is unopened.

Note! Returned spares will be subject to a 15% restocking charge and authorisation must be obtained before return.

Customer Care Policy

If within a short space of time of installation the product does not function correctly, first check with the operation and maintenance advice provided in this Product Manual to see if the difficulty can be overcome. Failing this, contact your installer to make sure that the product has been installed and commissioned in full accord with our detailed installation instructions. If this does not resolve the difficulty, please ring your nearest Rada contact, who will give you every assistance and if appropriate, arrange for your local service engineer or agent to call on a mutually agreeable date.

Contact:

Thorntwaite Technologies Pty Ltd

Howthorn House, 79 Victoria Avenue,

Chatswood, Sydney,

New South Wales, **AUSTRALIA**

Tel: 029 417 4466 Fax: 029 417 5231

www.thorntwaite.com.au

Rada is a registered trade mark of
Kohler Mira Limited.

The company reserves the right to alter
product specifications without notice.

www.radacontrols.com

rada

