

### 01 Presto Volta Sensor Mixer Tap



### 02 Product Part Numbers

Product Description	Part No
Presto Volta Sensor Mixer Tap - Battery	P55169
Presto Volta Sensor Mixer Tap - Mains	P55154

\* Non-mixer versions also available.

### 03 To Specify

Basin mounted sensor mixer tap with lever. Incorporates a 4 L/min flow regulator, infra-red sensor, solenoid valve and 6 volt lithium battery enclosed within the tap body. Also available with an external 240V AC/7V DC (IP65) transformer for connection to mains power. Approvals: AS/NZS 3718, WELS 6 stars.

### 04 Approvals



### 05 Drawings & Documentation

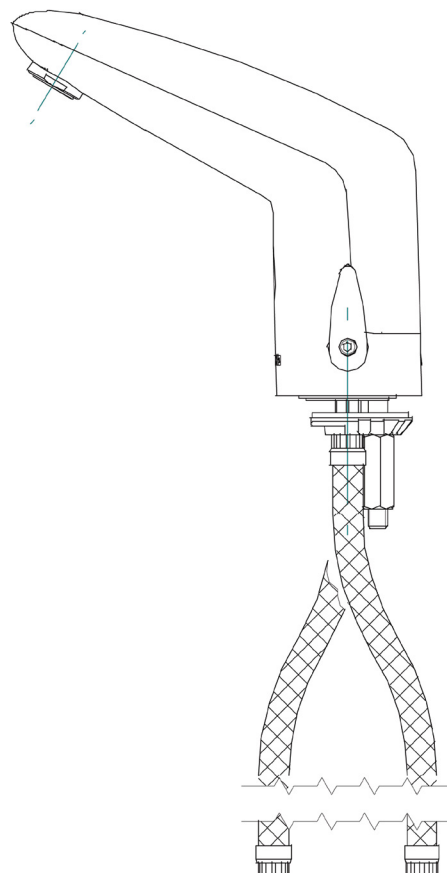
Visit our website to download additional information about this product, including the brochure, product manual, CAD and Revit family files.

**Thornthwaite Technologies Pty Ltd**  
79 Victoria Avenue Chatswood NSW 2067  
Tel: (02) 9417 4466 Fax: (02) 9417 5231 Email: [enquiries@thornthwaite.com.au](mailto:enquiries@thornthwaite.com.au)

### Line Drawings

06

*Presto Volta Sensor Mixer Tap - Battery*



*Presto Volta Sensor Mixer Tap - Mains*

