

01 Presto Volta Sensor Tap



02 Product Part Numbers

| Product Description | Part No |
|-----------------------------------|---------|
| Presto Volta Sensor Tap - Battery | P55066 |
| Presto Volta Sensor Tap - Mains | P55053 |

* Mixer versions also available.

03 To Specify

Basin mounted sensor tap. Incorporates a 4 L/min flow regulator, infra-red sensor, solenoid valve and 6 volt lithium battery enclosed within the tap body. Also available with an external 240V AC/7V DC (IP65) transformer for connection to mains power. Approvals: AS/NZS 3718, WELS 6 stars.

04 Approvals



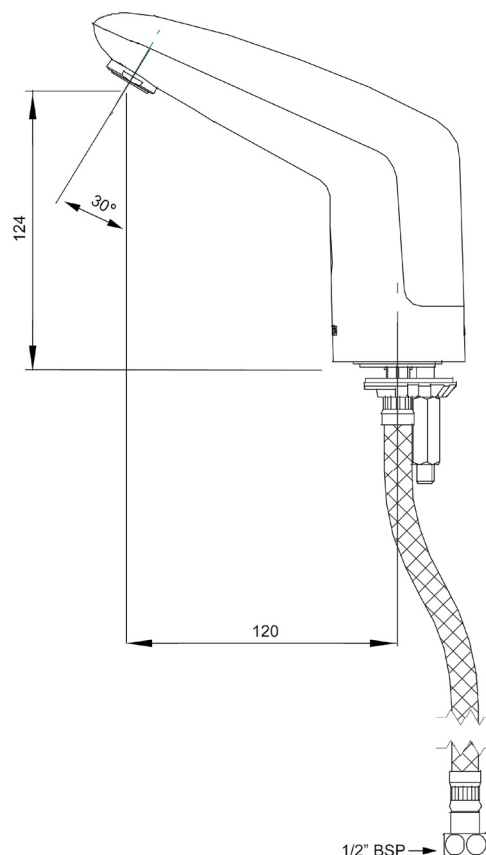
05 Drawings & Documentation

Visit our website to download additional information about this product, including the brochure, product manual, CAD and Revit family files.

Thornthwaite Technologies Pty Ltd
79 Victoria Avenue Chatswood NSW 2067
Tel: (02) 9417 4466 Fax: (02) 9417 5231 Email: enquiries@thornthwaite.com.au

Line Drawings

Presto Volta Sensor Tap - Battery



Presto Volta Sensor Tap - Mains

