

01 Rada Mono 120 Sensor Operating System



02 Product Part Numbers

Product Description	Part No
Rada Mono 120 sensor operating system - for basins	650901
Rada Mono 120 sensor operating system - for showers	750904

03 To Specify

Each outlet (basin or shower) to be served by one wall mounted Rada Mono 120 sensor operating system for 'no-touch' flow control.

Complete with active infra-red sensor, 1/2" BSPM solenoid valve, isolating ball valve and 6 L/Min flow regulator (basins only).

Approvals: AS/NZS 3718; WELS (tap equipment) 6 stars, 6 L/min. Shower flow rate is determined by shower head.

04 Approvals



Tap Equipment



WaterMark

AS/NZS 3718 IIC 21004

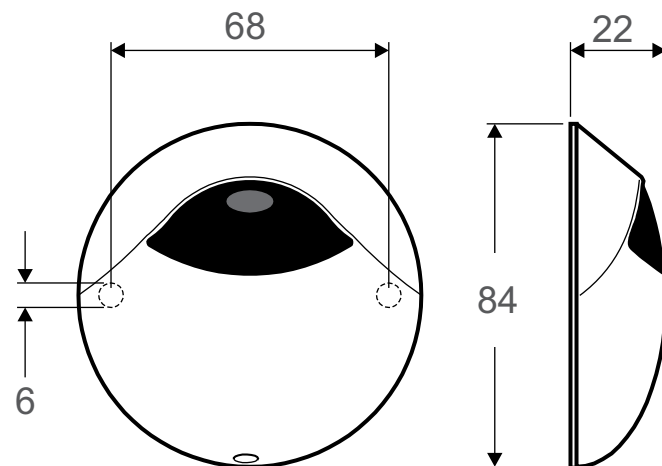


N16311

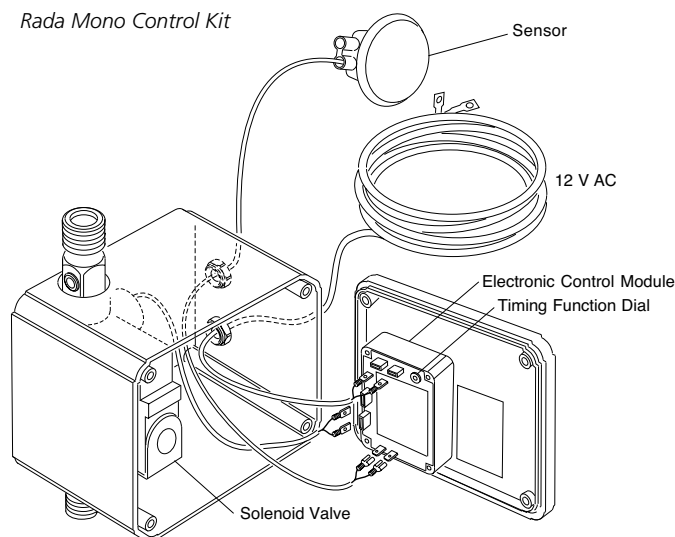
Line Drawings

05

Rada 120 Sensor



Rada Mono Control Kit



About Rada Mono Control

06

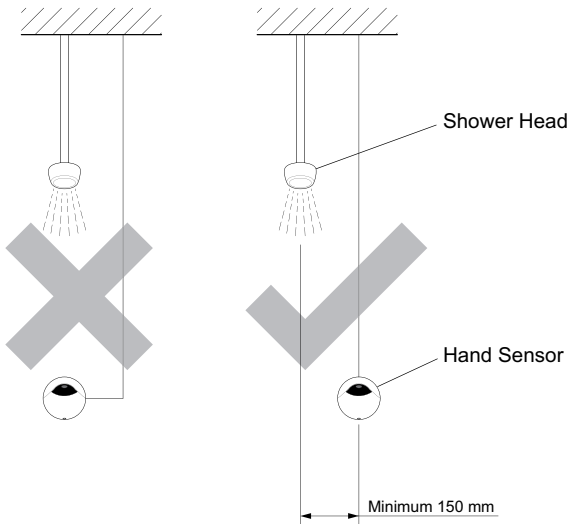
Rada Mono Control sensor kits provide everything required to activate water flow to a single outlet.

Each kit includes the sensor, installation box (control module and solenoid valve), inlet isolating ball valve, 12 V AC transformer and flow regulator (washbasins). Sensors are supplied with 3m cable which can be extended by using CAT5 UTP or CAT5 STP twisted pair data cable (not supplied).

With Mono Control, your washroom will have many of the benefits of Rada Pulse: hands-free washing, sensor-activated timed flow and automatic shut-off.

07 Sensor Installation

Sensors should be installed off-centre to showerheads and basin spouts to prevent unintended activation. Dripping shower heads may cause sensors to trigger automatically.



08 Documentation & Drawings

Visit our website to download additional documentation about this product, including the brochure, product manual, CAD and Revit family files.