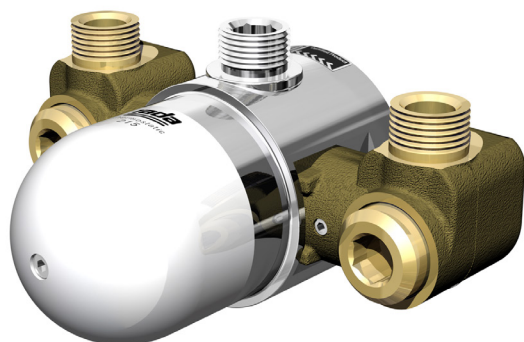


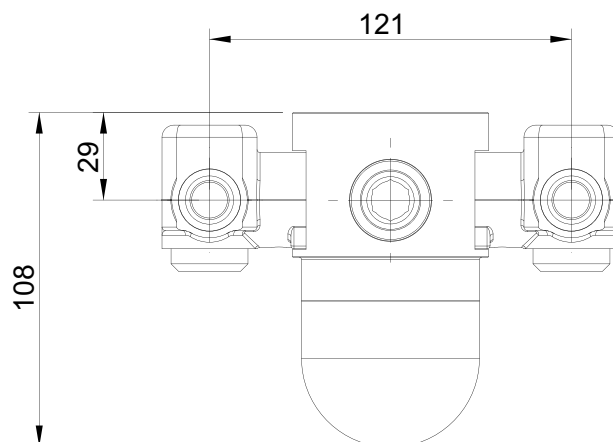
# Rada 215bk Thermostatic Mixing Valve

## 01 Rada 215bk Thermostatic Mixing Valve



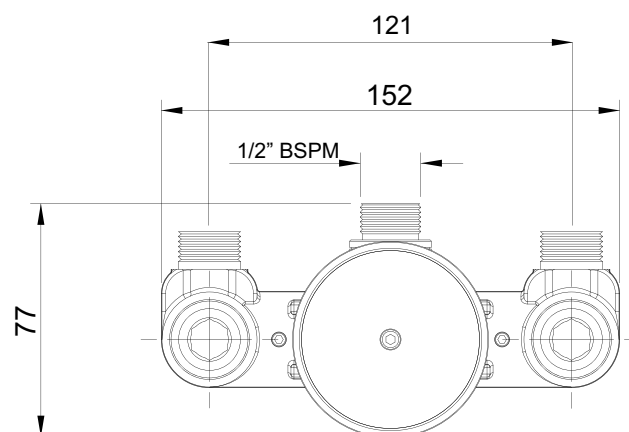
## Line Drawings

06



## 02 Product Part Numbers

Product Description	Part No
Rada 215bk Thermostatic Mixing Valve	40863
Rada 215bk/oemk mounting plate	R20068



## 03 To Specify

Rada 215bk thermostatic mixing valve. Flow rate 2.5 - 50 L/min. Incorporating a sealed-for-life, service free Radatherm cartridge; and inlet check valve & strainer cartridges. Inlets and outlet 1/2" BSPM. Approvals: AS 4032.1 and NSW Health.

## 04 Approvals



NSW HEALTH APPROVED



## 05 Documentation & Drawings

Visit our website to download additional information about this product, including the brochure, product manual, CAD and Revit family files.