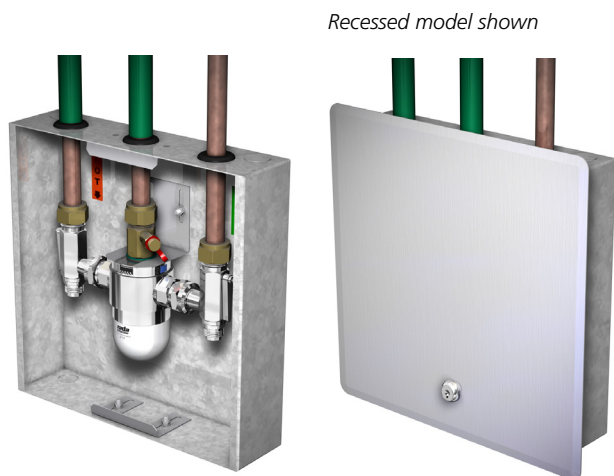


01 Rada 215dk TMV Boxes



02 Product Part Numbers

Product Description	Part No
Rada 215dk TMV in a recessed galvanised box with stainless steel lid	40861RB300
Rada 215dk TMV in a recessed galvanised box with stainless steel lid (with cold water feed)	40861RB300CF
Rada 215dk TMV in an exposed galvanised box and lid	40861EBG300
Rada 215dk TMV in an exposed galvanised box and lid (with cold water feed)	40861EBG300CF

03 To Specify (Recessed model 40861RB300)

Rada 215dk TMV in a recessed galvanised (300 x 300 x 75mm) box with stainless steel lid. Flow rate 2.5 - 50 L/ min. Incorporating a sealed-for-life, service free Radatherm cartridge; inlet check valve & strainer cartridges; inlet isolating ball valves; outlet temperature test point; and 20mm copper inlet & outlet pipework. Approvals: AS 4032.1 and NSW Health.

04 Approvals



NSW HEALTH APPROVED



05 Documentation & Drawings

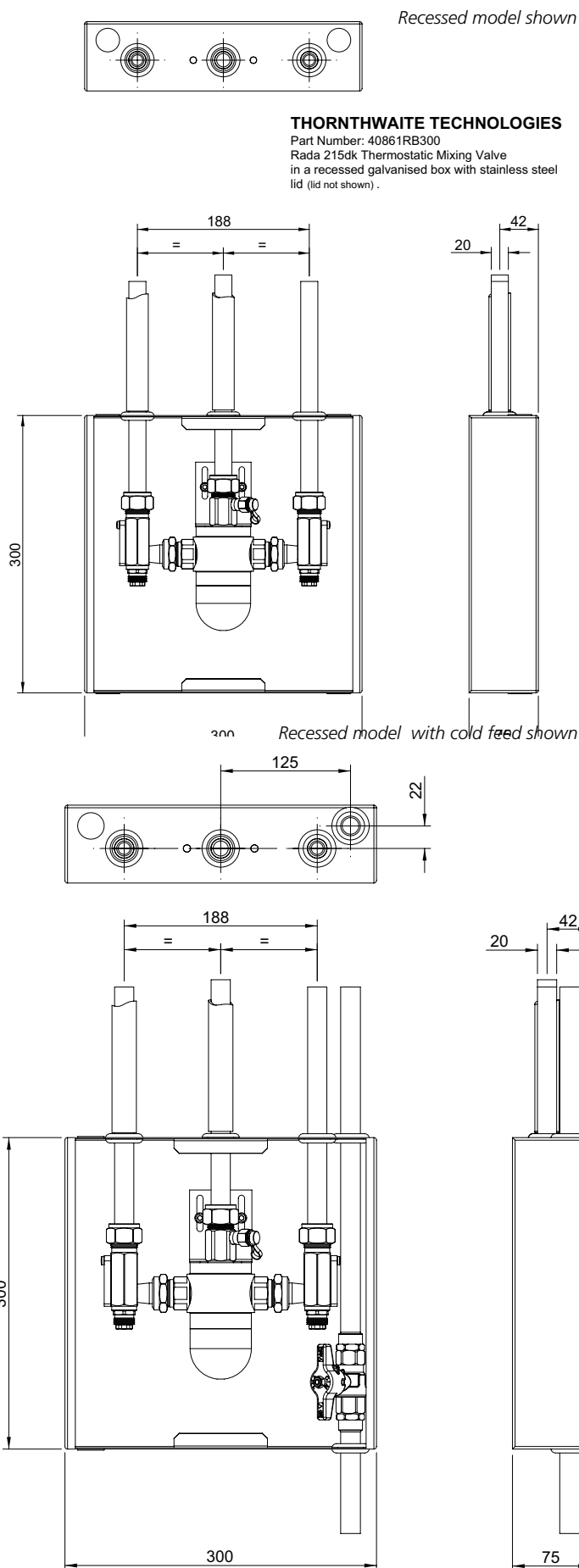
Visit our website to download additional information about this product, including the brochure, product manual, CAD and Revit family files.

Thornthwaite Technologies Pty Ltd

79 Victoria Avenue Chatswood NSW 2067

Tel: (02) 9417 4466 Fax: (02) 9417 5231 Email: enquiries@thornthwaite.com.au

Line Drawings



THORNTHWAITE TECHNOLOGIES

Part Number: 40861RB300
Rada 215dk Thermostatic Mixing Valve
in a recessed galvanised box with stainless steel
lid (lid not shown) .