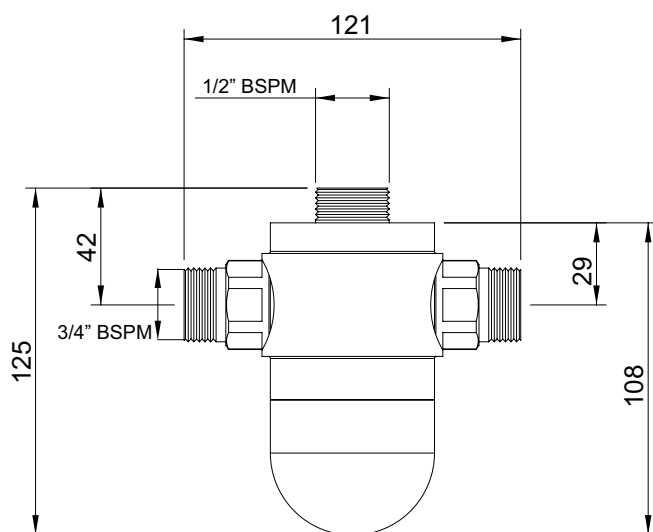
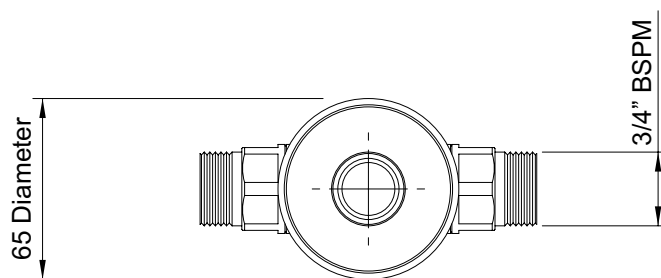


01 Rada 215dk Thermostatic Mixing Valve



Line Drawings

06



02 Product Part Numbers

Product Description	Part No
Rada 215dk Thermostatic Mixing Valve	40861
Rada 215dk bracket	R215BKT

03 To Specify

Rada 215dk thermostatic mixing valve. Flow rate 2.5 - 50 L/min. Incorporating a sealed-for-life, service free Radatherm cartridge; and inlet check valve & strainer cartridges. Inlets 3/4" BSPM and outlet 1/2" BSPM. Approvals: AS 4032.1 and NSW Health.

04 Approvals



NSW HEALTH APPROVED



05 Documentation & Drawings

Visit our website to download additional information about this product, including the brochure, product manual, CAD and Revit family files.