

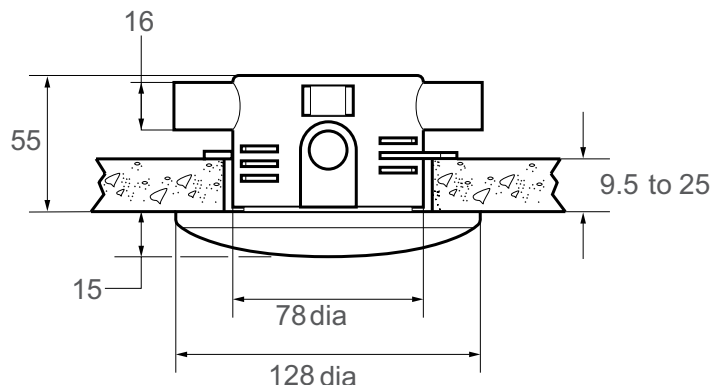
01 Rada Mono 124 Sensor Operating System



Line Drawings

06

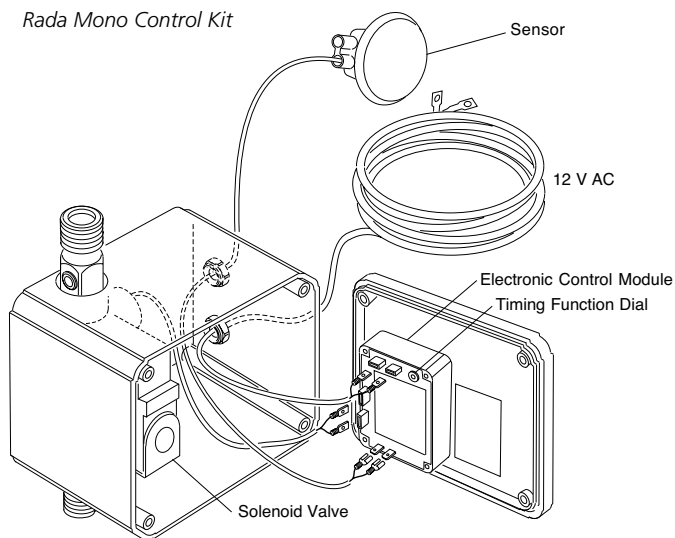
Rada 124 Sensor



02 Product Part Numbers

Product Description	Part No
Rada Mono 124 sensor operating system - for basins	650921

Rada Mono Control Kit



03 To Specify

Each basin outlet to be served by one ceiling mounted Rada Mono 124 sensor operating system for 'no-touch' flow control. Complete with passive infra-red sensor, 1/2" BSPM solenoid valve, isolating ball valve and 6 L/min flow regulator.

Approvals: AS/NZS 3718; WELS (tap equipment) 6 stars, 6 L/min.

04 Approvals



About Rada Mono Control

07

Rada Mono Control sensor kits provide everything required to activate water flow to a single outlet. Each kit includes the sensor, installation box (control module and solenoid valve), inlet isolating ball valve, 12 V AC transformer and flow regulator (washbasins).

Sensors are supplied with 3m cable which can be extended by using CAT5 UTP or CAT5 STP twisted pair data cable (not supplied).

With Mono Control, your washroom will have many of the benefits of Rada Pulse: hands-free washing, sensor-activated timed flow and automatic shut-off.

05 Documentation & Drawings

Visit our website to download additional documentation about this product, including the brochure, product manual, CAD and Revit family files.