

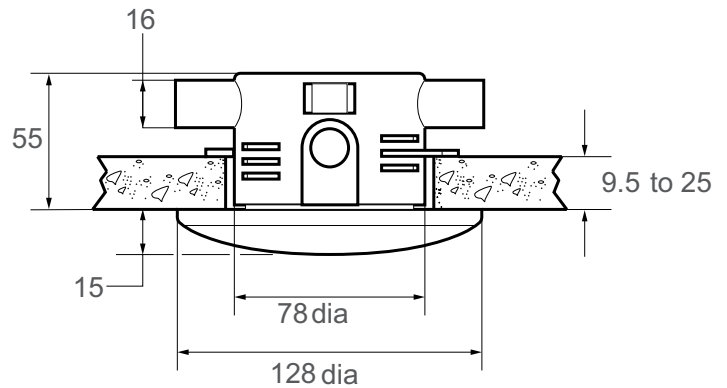
### 01 Rada Mono 125 / 126 Sensor Operating System



### Line Drawings

06

Rada 125/126 Sensor



### 02 Product Part Numbers

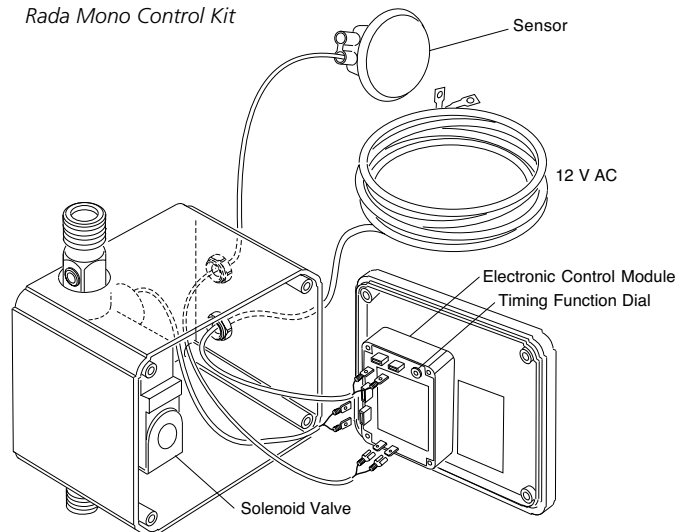
Product Description	Part No
Rada Mono 125 sensor operating system - for urinals (1 stall)	850931
Rada Mono 126 sensor operating system - for urinals (2 stalls)	850941

### 03 To Specify

One ceiling mounted Rada Mono urinal flushing system for 'no-touch' flushing to serve a single stall (125 system) or 2 stalls (126 system). Complete with passive infra-red sensor, 1/2" BSPM solenoid valve, isolating ball valve and air gap.

Approvals: ATS 5200.020; WELS - 125: 4 stars 1.4L flush; 126: 1 star 2L flush per stall.

Rada Mono Control Kit



### 04 Approvals



### About Rada Mono Control

07

**Rada Mono Control** sensor kits provide everything required to activate water flow to a single outlet.

Each kit includes the sensor, installation box (control module and solenoid valve), inlet isolating ball valve, 12 V AC transformer and air gap (for urinals).

Sensors are supplied with 3m cable which can be extended by using CAT5 UTP or CAT5 STP twisted pair data cable (not supplied).

### 05 Documentation & Drawings

Visit our website to download additional documentation about this product, including the brochure, product manual, CAD and Revit family files.