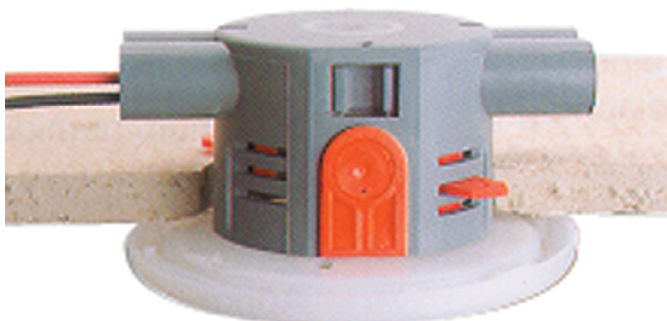
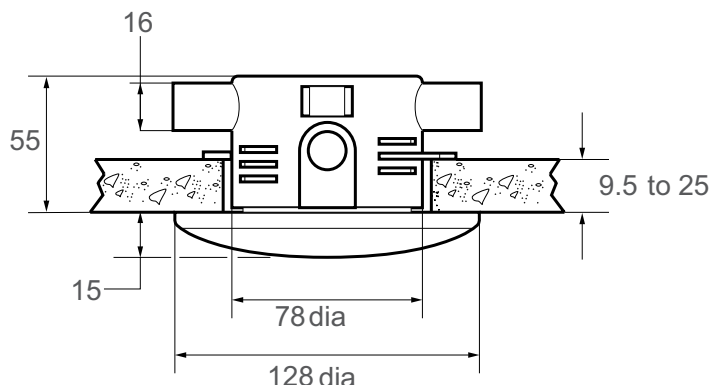


01 Rada Pulse 124 Sensor Operating System



Line Drawings

06



02 Product Part Numbers

Product Description	Part No
Rada Pulse 124 sensor operating system - for basins	650651

About Rada Pulse

07

Rada Pulse controls water flow to up to 10 outlets, including basins, showers and/or urinals.

Each outlet has its own sensor operating system that is linked to a central control box, where each outlet is programmed via a hand-held programmer.

For Rada Pulse, you will need to order the following:

- Up to 10 sensor operating kits
- 1 x Rada Pulse Control Box per ten outlets
- 1 x Handheld programming unit

Each sensor kit comes complete with a sensor, solenoid valve, inlet isolating ball valve and flow regulator (for washbasins).

Sensors are supplied with 3m cable which can be extended by using CAT5 UTP or CAT5 STP twisted pair data cable (not supplied). Solenoid cable not supplied.

03 To Specify

Each basin outlet to be served by one ceiling mounted Rada Pulse 124 sensor operating system for 'no-touch' flow control. Complete with passive infra-red sensor, 1/2" BSPM solenoid valve, isolating ball valve and 6 L/Min flow regulator (basins only).

Approvals: AS/NZS 3718; WELS (tap equipment) 6 stars, 6 L/min.

04 Approvals (Rada Pulse System)



Tap Equipment



05 Documentation & Drawings

Visit our website to download additional documentation about this product, including the brochure, product manual, CAD and Revit family files.