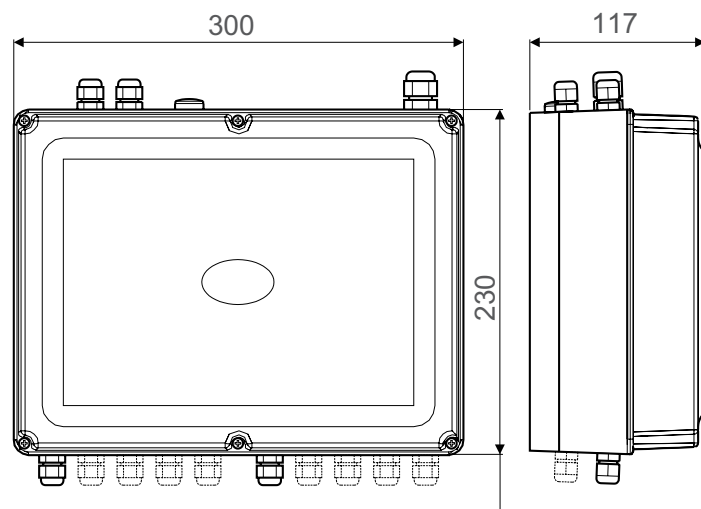


01 Rada Pulse Control Box



Line Drawings

06



02 Product Part Numbers

Product Description	Part No
Rada Pulse Control Box	09379

Rada Pulse Programming

07

The Rada Pulse Control Box provides centralised control for up to 10 sensor kits, and is programmed via a hand-held programmer.

03 To Specify

Rada Pulse Control Box is a complete washroom water control unit with an integral 240VAC/12VAC transformer. Controls up to 10 solenoid valves via the activation of Rada Pulse sensors for water flow to basins, showers and/or urinals (in any combination).
Approvals: AS/NZS 3718, ATS 5200.020

Rada Pulse Components

08

Rada Pulse controls water flow to up to 10 outlets, including basins, showers and/or urinals.

Each outlet has its own sensor operating system that is linked to a central control box, where each outlet is programmed via a hand-held programmer.

For Rada Pulse, you will need to order the following:

- Up to 10 sensor operating kits
- 1 x Rada Pulse Control Box per ten outlets
- 1 x Handheld programming unit

Each sensor kit comes complete with a sensor, solenoid valve, inlet isolating ball valve and flow regulator (for washbasins).

04 Approvals (Rada Pulse System)



05 Documentation & Drawings

Visit our website to download additional documentation about this product, including the brochure, product manual, CAD and Revit family files.