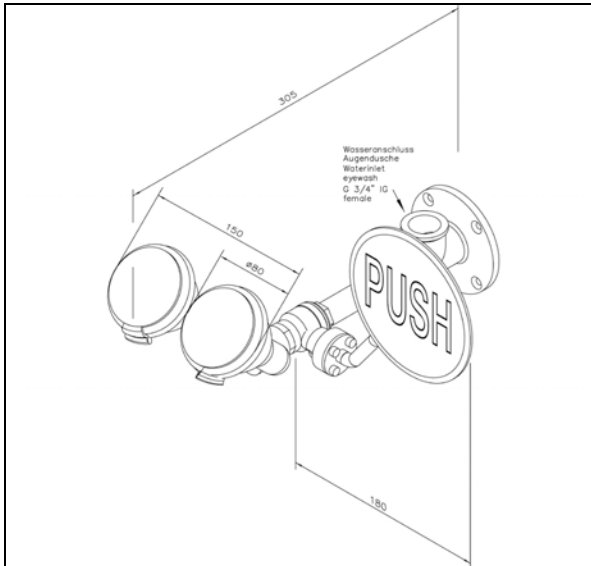


ClassicLine eye shower with two spray heads 45°, wall mounted, exposed pipework



- big push plate made of steel, length 130 mm, chemical resistant green powder coated, with large signal "PUSH", luminescent according to DIN 67510
 - ball valve 1/2" made of stainless steel, DIN-DVGW tested and certificated
 - high-performance spray heads made of brass 45°, for large-scale dispersion of water, chemical resistant green powder coated, largely scale-free, with rubber sleeves and sealed dust caps
 - integrated flow regulation 14 litre / minute
 - connecting pipe 1/2" made of brass, chemical resistant green powder coated, length 100 mm
 - wall flange 3/4" made of brass, chemical resistant green powder coated, water inlet 3/4" female
 - sign for eye shower according to DIN 4844-2-D and BGV A8, self-adhesive PVC-film, 150 x 150 mm
 - projection 330 mm, total width incl. lever 240 mm
 - according to DIN EN 15154-2:2006 and ANSI Z358.1-2004
 - DIN-DVGW tested and certificated
- Manufacturer: B-SAFETY or equal
Article-No.: BR 250 085