



B-SAFETY
PROFESSIONAL SAFETY SOLUTIONS

Article No.:

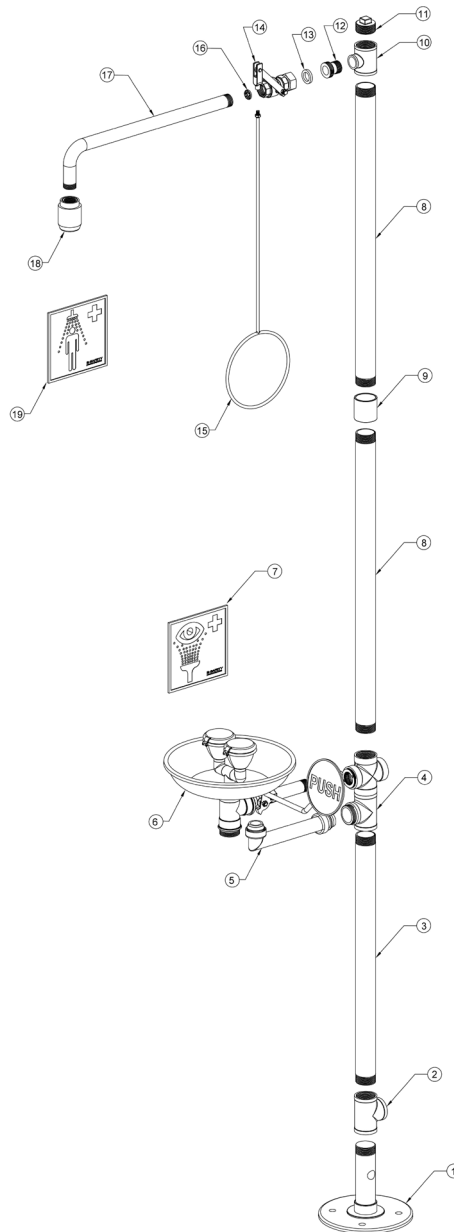
BR 837 585D

REV / DATE :

08/22

Description:

**ClassicLine body safety shower with eye shower with bowl,
draining over the stand pipe, floor mounted**



THORNTHWAITE

— EST 1933 —

Thorntwaite Technologies
02 9417 4466
info@thorntwaite.com.au
www.thorntwaite.com.au

Part No.	Article No.	Quantity	Description	Material	Weight
1	FS1-085	1	Base plate round, green	Stainless steel AISI 201	2.42 kg
2	FST114-085	1	T-piece 1 ¼", green	Stainless steel AISI 316	0.30 kg
3	FSR-085-565	1	Pipe 1 ¼", length 565 mm, green	Stainless steel AISI 304	1.50 kg
4	FSKT-585	1	Combination of cross piece and T-piece, green	Stainless steel AISI 316	0.98 kg
5	F585-R1	1	Drain pipe, green	Stainless steel AISI 304	0.36 kg
6	BR 300 185	1	Safety eye shower with bowl, green	Various materials	3.10 kg
7	BR 205 010	1	Emergency sign, 100 x 100 mm	PVC film, self-adhesive	0.01 kg
8	FSR-085-680	2	Pipe 1 ¼", length 680 mm, green	Stainless steel AISI 304	1.80 kg
9	FSM114-085	1	Sleeve 1 ¼", green	Stainless steel AISI 316	0.21 kg
10	FST11434-085	1	T-piece with reduction 1 ¼" x ¾", green	Stainless steel AISI 316	0.15 kg
11	FS8	1	Plug 1 ¼"	Stainless steel AISI 316	0.08 kg
12	XN1	1	Adapter XN1	Stainless steel AISI 316	0.06 kg
13	150040100	1	Gasket	Vulcan fiber	0.01 kg
14	F8275	1	Ball valve with lever and quick mounting system	Brass CW617N, stainless steel AISI 201	0.38 kg
15	F801-085	1	Pull rod, green	Stainless steel AISI 201	0.41 kg
16	97BXX	1	Flow regulator 97B50 = 50 l/min (red) or 97B75 = 75 l/min (brown)	POM Hostaform C9021	0.01 kg
17	F81101	1	Bent pipe, green	Stainless steel AISI 304	0.94 kg
18	BR 010 365	1	High-performance shower head, black	POM Hostaform C13021	0.10 kg
19	BR 205 105	1	Emergency sign, 150 x 150 mm	PVC film, self-adhesive	0.01 kg