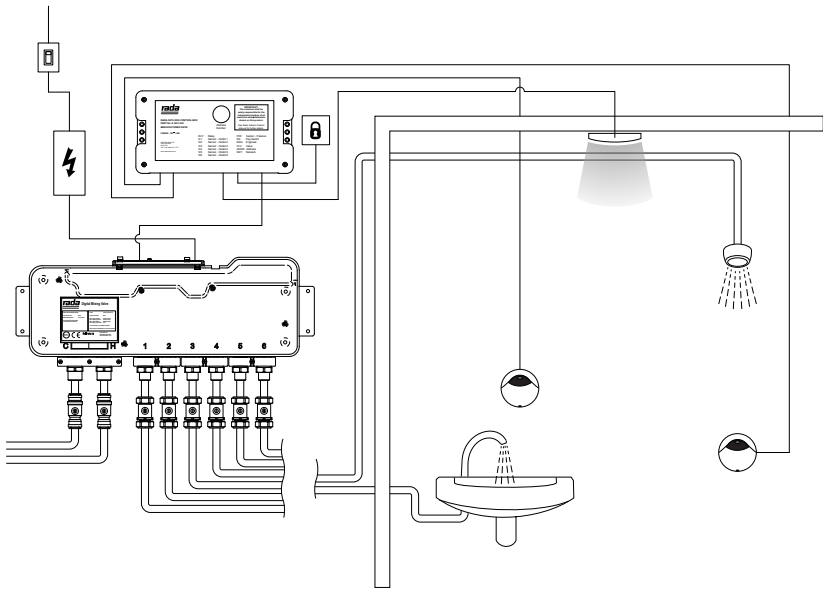




# Rada Outlook Digital Mixer Valve, Sensor Box & Sensors



T-logic™ Digital Intelligence



## PRODUCT MANUAL

### IMPORTANT

Installer: These instructions are for use with the UK version of this product only. This Manual is the property of the customer and must be retained with the product for maintenance and operational purposes.

# CONTENTS

<b>DESCRIPTION</b>	<b>4</b>
<b>SAFETY : WARNINGS</b>	<b>4</b>
<b>PACK CONTENTS</b>	<b>5</b>
<b>SPECIFICATION</b>	<b>6</b>
Standards and Approvals	6
Default Settings	7
<b>INSTALLATION</b>	<b>8</b>
General	8
Legionella Control	8
Installation Requirements	8
Installation Schematic Diagram	9
Wiring Length Schematic Diagram	10
Mixer Valve Orientations	11
<b>RADA OUTLOOK MIXER VALVE</b>	<b>13</b>
Unused Outlets	14
<b>POWER SUPPLY UNIT (PSU)</b>	<b>14</b>
<b>RADA OUTLOOK SENSORS</b>	<b>15</b>
General Notes on Installation Requirements	15
Hand Operated IR Sensor	16
Hand Operated Piezo Sensor	17
Extending a Sensor Cable	18
<b>RADA OUTLOOK SENSOR BOX</b>	<b>19</b>
<b>SENSOR BOX CONNECTIONS</b>	<b>20</b>
Connection Ports	20
Relay	20
Hand Sensors	21
PIR / Proximity Sensor	21
Key Switch	24
Valve	24
Address	25
Sensor Box Addresses	26
Power Setting	26
Network	27
Creating a Network	28

Sensor Box Network Wiring Diagram.....	29
<b>COMMISSIONING .....</b>	<b>30</b>
<b>OPERATION .....</b>	<b>30</b>
<b>CLEANING.....</b>	<b>31</b>
<b>FAULT DIAGNOSIS.....</b>	<b>31</b>
Fault Diagnosis Table .....	31
<b>PLANNED MAINTENANCE .....</b>	<b>40</b>
Checkvalves and Filters .....	41
Changing the Battery.....	42
<b>SPARE PARTS .....</b>	<b>43</b>
<b>ACCESSORIES .....</b>	<b>46</b>
<b>DISPOSAL &amp; RECYCLING .....</b>	<b>47</b>
End of Product Life.....	47
Batteries .....	47
<b>CUSTOMER CARE.....</b>	<b>Back Cover</b>

<b>Patent Application</b>
European 06702758-1
India 1231/MUMNP/2007
<b>Patent</b>
UK 2 421 297 2 437 891
USA 7669776 8043556
Australia 2006 207 367
Canada 2 595064
China ZL 2006 8000 5853.8
Japan 493345

## DESCRIPTION

A range of electronic products which combine to produce a controlled washroom solution that complies with legislative and safety requirements, whilst reducing the cost of building management.

An enclosed and concealed digital mixer valve supplies up to six individual outlets, combined with a programmable sensor box that manages temperature, timed flow, duty flush and up to six hand sensors. A manually controlled thermal disinfection function is also included.

Optional Windows based configuration and data logging software is available, enabling utilities supervisors to monitor all aspects of water management within the system.

## SAFETY : WARNINGS

The primary function of this product is to deliver water consistently at a desired temperature. This requires that:

1. It is installed, commissioned, operated and maintained in accordance with the recommendations given in this manual.
2. Periodic attention is given, as necessary, to maintain the product in good functional order. Recommended guidelines are given in the "**Planned Maintenance**" section.
3. If this equipment is used in a manner not specified by Kohler Mira Ltd, the protection provided by the equipment may become impaired.
4. The electrical installation **must** comply with BS 7671 (commonly referred to as the IEE Wiring Regulations) and all relevant building regulations, or any particular regulation or practice specified by the local electricity supply company.

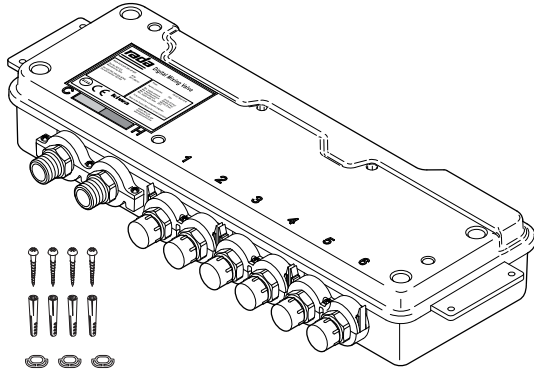
The use of the word 'failsafe' to describe the function of any mixer valve is both incorrect and misleading. This digital mixer valve incorporates additional shut-off devices to improve the level of safety however, in keeping with every other mechanism it cannot be considered as being functionally infallible.

Where chlorine disinfection is practised, **DO NOT** exceed a chlorine concentration of 50 mg/l (ppm) in water, per one hour dwell time. Such procedures **must** be conducted strictly in accordance with the information supplied with the disinfectant and with all relevant Guidelines/Approved Codes of Practice.

Kohler Mira Limited shall not accept liability in contract, tort (including negligence or otherwise) for any loss of profits, business or anticipated savings, or loss or corruption of data, or any indirect or consequential loss arising out of the customer's use of Rada Outlook. The customer shall be solely responsible for the independent backup of all data/information stored on Rada Outlook. Notwithstanding the foregoing, none of the exclusions and limitations stated above are intended to limit any rights the customer may have under local law or other statutory rights which may not be excluded.

# PACK CONTENTS

❑ 1 x Mixer Valve



❑ 4 x Fixing Screws



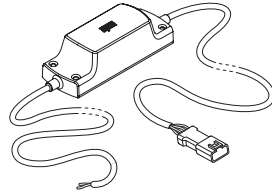
❑ 4 x Wall Plugs



❑ 6 x Rubber Feet



❑ 1 x Power Supply Unit (PSU)



❑ 2 x Fixing Screws



❑ 2 x Wall Plugs



❑ 1 x Sensor Box

❑ 6 x DIN Rail  
Fixing Screws



❑ 2 x DIN Rail Clips



❑ 2 x Wall Fixing Screws



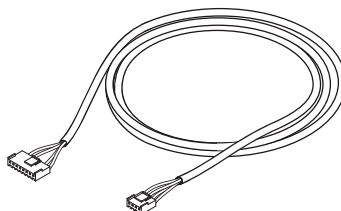
❑ 2 x Wall Plugs



❑ 1 x Suppression Ferrite



❑ 1 x Control Cable



# SPECIFICATION

## Standards and Approvals

The Rada Outlook Mixer Valve complies with all relevant directives for CE marking.

The Rada Outlook Mixer Valve is a type 1 electronic, independently surface mounted control.

<b>General</b>	
Pollution Degree	Mixer Valve - 3 Sensor Box - 2
Protection	Mixer Valve - IP24 Sensor Box - IP20
Connections	Flat face union connections
Installation Environment	Suitable for indoor use only
<b>Pressures</b>	
Maximum Static Pressure	800kPa (8 bar)
Minimum Pressure Loss*	150kPa (1.5 bar)
Supply Pressure Differential	Equal pressure recommended - Inlet pressures must be stable for optimum performance.
Minimum Flow Rate Per Outlet	6L/min (<500kPa maintained pressure) 8L/min (>500kPa maintained pressure)
<b>Temperatures</b>	
Factory Pre-set (Blend)	38°C
Factory Pre-set Duty Flush	38°C
Programmable Range	Max. 33 - 50°C Min. 30 - 47°C (Full cold can also be selected.) Default at start-up 30 - 50°C
Minimum Blend Temperature Differential from Hot Supply	2°C
Optimum Thermostatic Control Range	30 - 50°C
Cold Water Range	1 - 20°C
Hot Water Range	50 - 65°C (80°C for disinfection)
Temperature Stability	± 1°C at recommended supply conditions
Ambient Temperature	Greater than 1°C, max. 40°C
Maximum Relative Humidity	95% non-condensing
<b>Electrical</b>	
Power Supply	100 - 240V ~ 50Hz - 60Hz, 1.5A
Power to Mixer Valve	12V $\overline{\text{---}}$ 30W (from Power Supply)
Power to Sensor Box	12V $\overline{\text{---}}$ 10W (from Valve)
PIR / Proximity Sensor	Input = 5V. Output = 5V Logic Level signal. Voltage Free Contacts.
Hand Sensors	5V DC supply provided by the Rada Outlook Sensor Box
<b>Hand Sensors</b>	
Power Input	5V DC supply provided by the Rada Outlook Sensor Box
<b>PIR / Proximity Sensor (not included)</b>	
Power Input	5V DC less than 50mA or +12V DC less than 50mA
Power Output	Voltage Free Contact 12V DC 0.5A
Output Logic	Normal (unit powered and operational with no detected occupancy) - contact closed Power Failure - contact open Unit Failure - contact open Occupancy Detection - contact open
It should be possible to link sensors together to increase the area covered. This will be done by connecting the relay contacts in series and linking the connected contacts to the Outlook sensor input.	

\* The pressure loss of a system (valve and outlet fitting) is the average of the two inlet pressures minus the back pressure, where the back pressure is determined by the flow resistance of any outlet fitting.

## Default Settings

The following table shows the factory default settings of the Sensor Box. These settings can be changed using the "**Rada Modbus Universal Configuration Tool**".

<b>Outlets 1 -6</b>	
Type	Shower
Mode	Timed
Run Time	30 seconds
Duty Flush	Disabled
Pump	Disabled
Fan	Disabled
Number of Outlets for Fan	1
Fan Run On Time	5 seconds
<b>Duty Flush</b>	
Flush Type	Standard
Flush Interval	3 days
Scheduled Flush Time	02:00 am
Flush Temperature	38 °C
Flush Warm-Up Time	1 minute
Flush Duration	2 minutes
<b>Mixer Valve Settings</b>	
Setpoint	38 °C
Maximum Setpoint	45 °C
Minimum Setpoint	30 °C
<b>Thermal Disinfection</b>	
Type	Standard
Maximum Warm-Up Time	2 minutes
Target Disinfection Time	5 minutes
Disinfection Timeout	10 minutes
Target Temperature	60 °C

**Note! The internal clock does not update automatically for summer/winter time.**

**Note! For additional information regarding factory default settings or the valves programmable functionality please contact Rada Controls or your local agent.**

# INSTALLATION

## General

**Installation must be carried out in accordance with these instructions, and must be conducted by designated, qualified and competent personnel. It is recommended that all signal wiring connections should be made by someone familiar with electronic network installations.**

The plumbing installation **must** comply with the requirements of the UK Water regulations/Bye Laws (Scotland), or any particular regulations and practices specified by the local water company or water undertakers.

**Warning! Do Not** connect mains voltage directly to the Sensor Box, Mixer Valve, or any of the Sensors.

**Caution!** The Mixer Valve, Sensor Box and PSU **must** be installed in a dry area and where they will not be able to freeze (minimum ambient temperature of 1 °C).

The Mixer Valve **must** be installed in an area where it is accessible to do any maintenance tasks e.g. removal of the cover, cleaning the filters, etc.

Flat face union connections **must** be used on the inlet and outlet connections of the Mixer Valve for ease of maintenance.

## Legionella Control

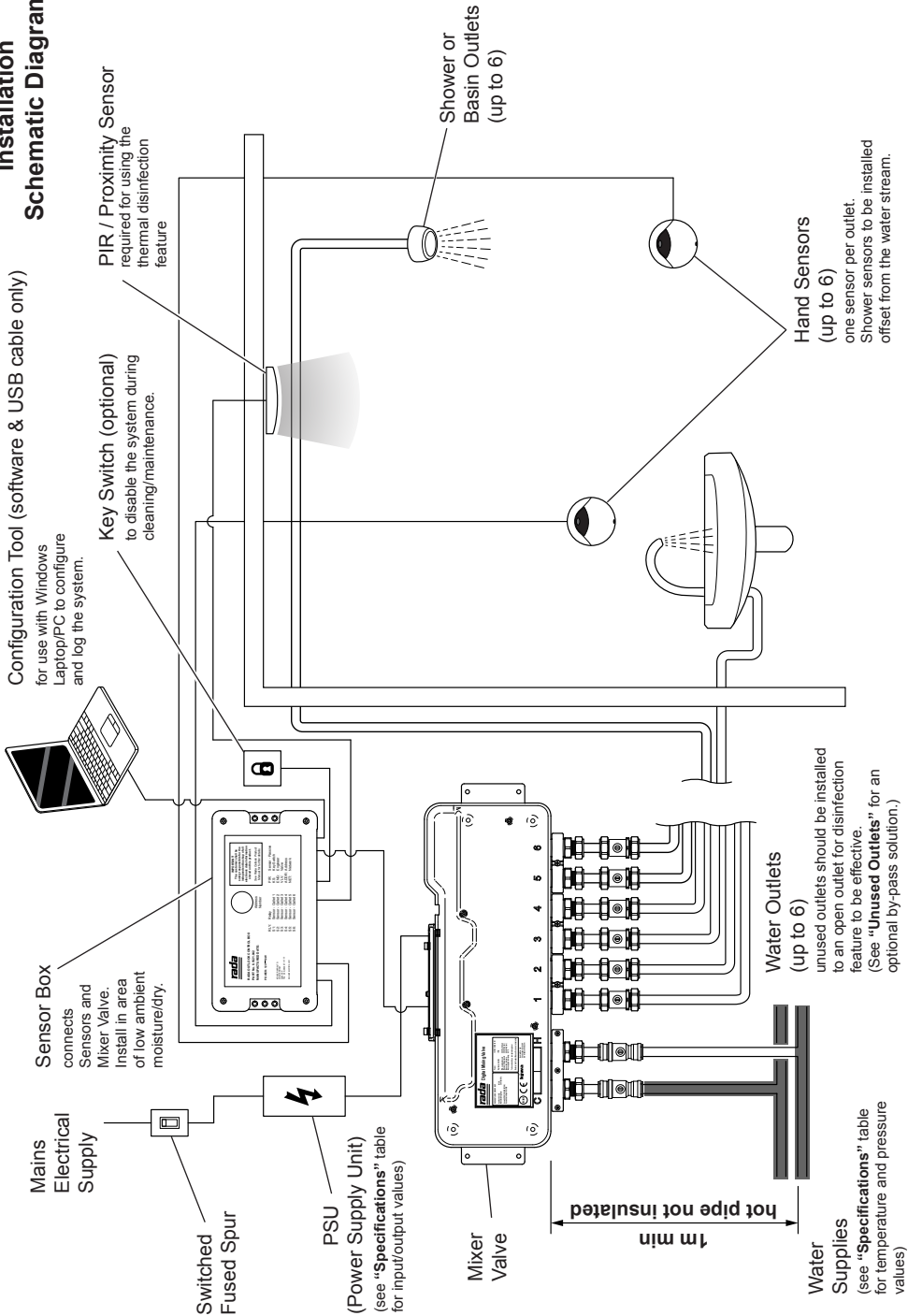
Every precaution is taken to ensure this product leaves our manufacture and test facility free from microbiological contamination. However the presence of such microorganisms is universal and their control is dependent highly on the quality of on-site water management. The functions of “duty flush” and “thermal disinfection” present in Rada Outlook are there to assist in controlling Legionella, but facility owners/managers are responsible for regular cleaning, disinfection and maintenance as required to remain within any applicable control limits. The “duty flush” and “thermal disinfection” functions of Rada Outlook may not be enough to control Legionella in any specific location. Kohler Mira Limited only use WRAS approved materials in this product and Kohler Mira Limited take no responsibility for post installation contamination. After installation, suitable additional disinfection/sterilisation must be performed before use.

## Installation Requirements

1. Inlet isolating valves (full flow type) **must** be installed close to the Mixer Valve for ease of maintenance. It is recommended that outlet isolating valves (full flow type) are also installed.
2. The use of supply-line or zone strainers will reduce the need to remove debris at the Mixer Valve. The recommended maximum mesh aperture dimension for such strainers is 0.5 mm.
3. Inlet pressure tapplings which allow measurement of the inlet pressures to

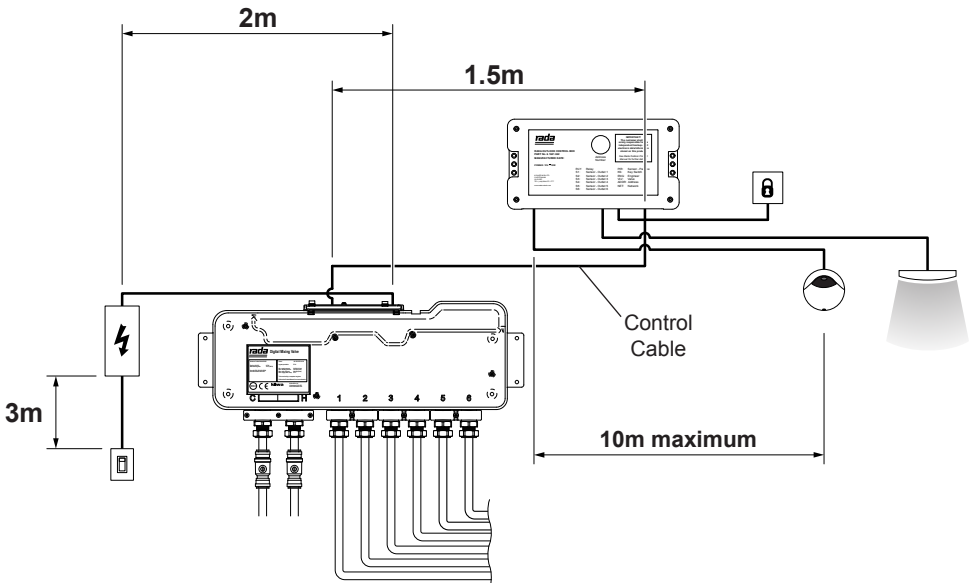


# Installation Schematic Diagram



the Mixer Valve under operating conditions are particularly recommended for in-service testing.

4. Pipework **must** be rigidly supported and avoid any strain on the connections.
5. Pipework dead-legs should be kept to a minimum. Long pipe runs will increase the delay for a comfortable bathing temperature to reach the outlet.
6. Make sure the pipe layout will avoid the build up of trapped air in the system. Air release valves can be used where this is not possible.
7. Supply pipework layout should be arranged to minimise the effect of other outlet usage upon the dynamic pressures at the Mixer Valve inlets.
8. Inlet and outlet threaded joint connections should be made with PTFE tape or liquid sealant. Do not use oil-based, non-setting joint compounds.

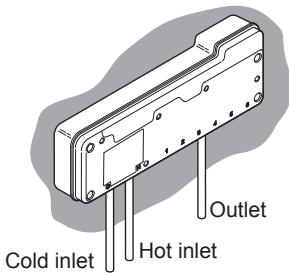


All dimensions are  
Maximum wire lengths

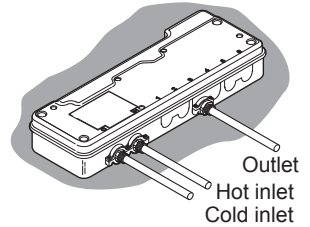
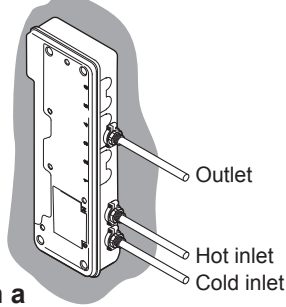
### Wire Length Schematic Diagram

9. To eliminate pipe debris it is essential that supply pipes are thoroughly flushed through before connection to the Mixer Valve and to the spout.

10. The DMV **MUST** be installed in the orientations shown and mounted on a rigid vertical surface or on top of a rigid horizontal surface.



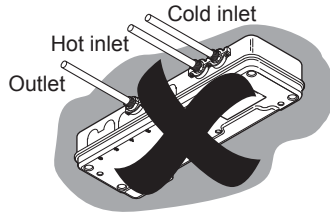
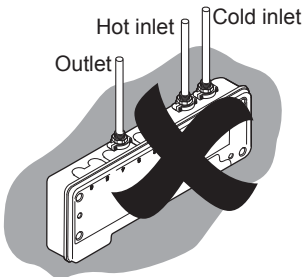
**Mounting on a Vertical Surface**



**Mounting on a Horizontal Surface**

**Note!** If the DMV is installed in a different orientation to those shown above, it may cause the DMV to malfunction e.g. cause airlocks, water ingress and could effect the thermal performance of the DMV.

The DMV **MUST NOT** be installed in the orientations shown below.



11. For the installation of your spout, refer to the **Sense Spout Kits Installation Manual**.
12. The Sensor Box is supplied with alternative fixing clips for attaching to DIN rail (top hat rail).
13. To install the showerheads and basin spouts refer to the relevant installation manual supplied with that product.
14. An optional Keyswitch or other similar device (not supplied) is required to disable the sensors temporarily for cleaning and maintenance. (The Rada Keyswitch is available as an accessory suitable for this purpose, see "**Accessories**". Any alternative Keyswitch should be fit for use and secured against tampering.)

## 15. THERMAL DISINFECTION

The Thermal Disinfection feature is used to flush hot water at maximum temperature through any outlet in the washing area that is connected to the digital mixer valve (see 'Installation Schematic').

**Thermal disinfection flushes hot water at scalding temperatures through the outlets and is therefore a hazardous process!**

**Regardless of whether disinfection is triggered manually or automatically, adequate safety precautions, supported by a full risk assessment, must be taken to prevent the use of the affected outlets during the thermal disinfection cycle!**

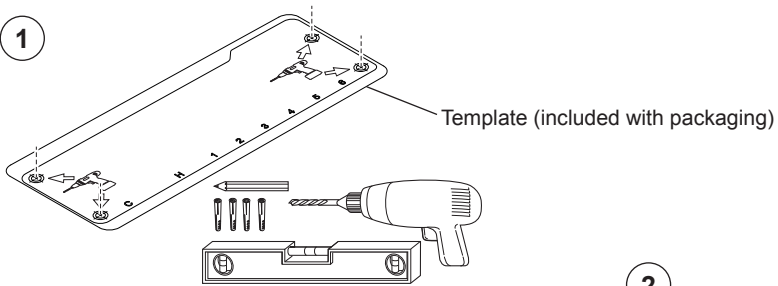
**To the extent permitted by law, Kohler Mira Limited accepts no liability for death or personal injury or damage to property, or any financial losses directly or indirectly incurred, resulting from misuse, lack of maintenance, or inadequate safety precautions or failure to follow the instructions in this product manual, while using or handling the thermal disinfection feature.**

### **PIR / Proximity Sensor**

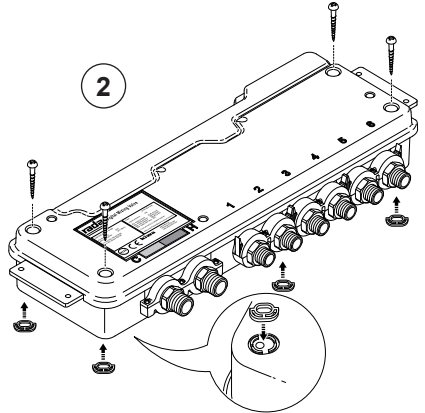
At least one PIR / Proximity Sensor is required to use the Thermal Disinfection feature. All PIR / Proximity Sensors should be fit for use according to the expected humidity levels during the Thermal Disinfection cycle. This will depend upon the size of washroom, the PIR / Proximity Sensor position and the number of outlets used. The PIR / Proximity Sensor must be checked to ensure that the appropriate area is covered adequately and that the disinfection process can be aborted successfully.

# RADA OUTLOOK MIXER VALVE

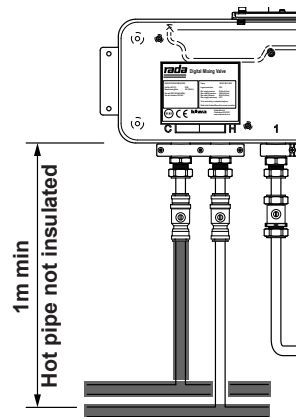
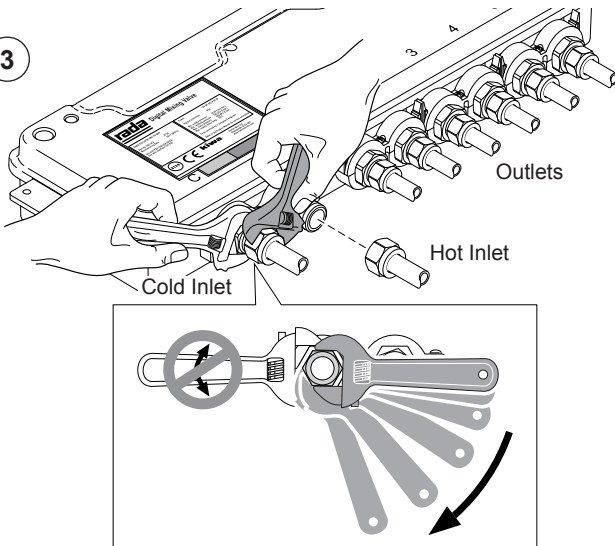
1



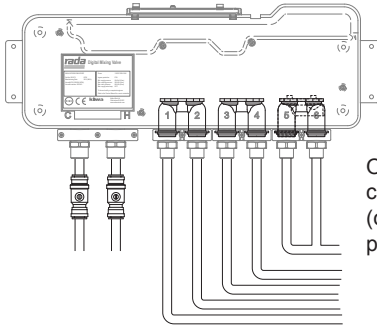
2



3



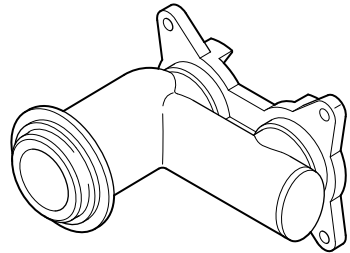
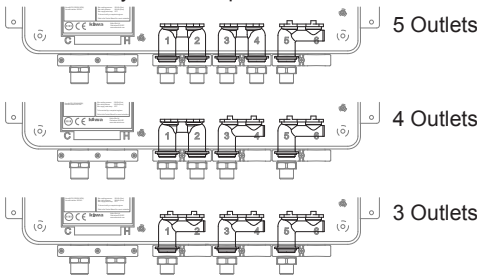
## Unused Outlets



Outlet 6 (unused) connected to Outlet 5 (open outlet) using plumbing layout.

It is recommended that any unused outlets are installed to an open outlet. This can be achieved with standard pipework connections in the plumbing layout or by installing Outlet By-Pass Adapters into the Mixer Valve.

### Outlet Combinations using By-Pass Adapters

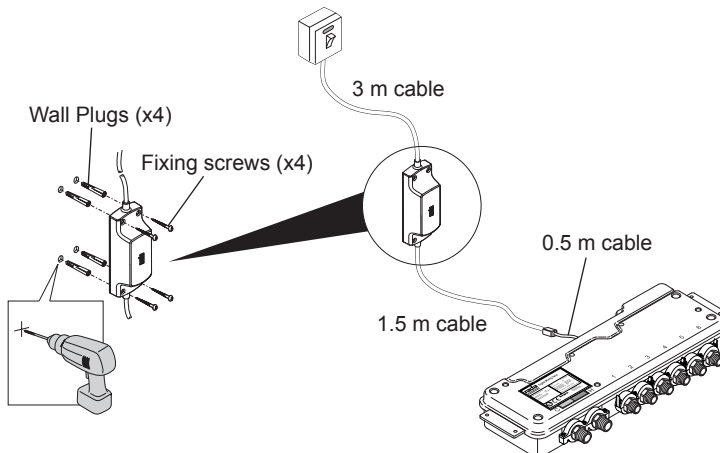


**Outlet By-Pass Adapter**  
(See "Accessories")

**Warning!** If unused outlets are not by-passed, an area of "still" water may form and could lead to bacterial contamination of the water outlets, even after disinfection.

## POWER SUPPLY UNIT (PSU)

**Warning!** Isolate mains power supply before starting installation. The PSU **must** be connected to a 3 amp switched fused spur box.



# RADA OUTLOOK SENSORS

**RADA OUTLOOK HAND SENSORS ARE SUPPLIED IN SEPARATE KITS.**

## General Notes on Installation Requirements

Sensors should be fitted outside of any direct water path, allowing access for adjustment and maintenance.

The sensors should be positioned a minimum of **0.5 m** away from any heat source to prevent false operation.

**Make sure that the area is adequately ventilated. Steam or condensation may affect the sensitivity and operating life of the sensors.**

Make sure the Sensors' "view" is always unobstructed for the user.

Do not install any Sensor opposite a mirror or highly reflective surface.

Low voltage systems cables **must** be installed within conduit or trunking to provide sufficient physical protection and to allow removal or maintenance of system components.

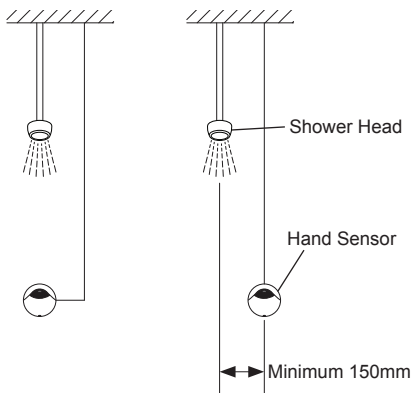
**Note!** Infra Red Sensors are available in 6m and 10m length options.

**Note!** If a Sensor cable requires lengthening, use the 3M™ cable connectors supplied only. The connectors must be positioned within a dry area to prevent water ingress affecting the operation of the sensors. For further information see "**Rada Outlook Sensors - Creating a Sensor Extension Cable**".

## Isolate the power supply to the Sensor Box BEFORE connecting the sensor wires.

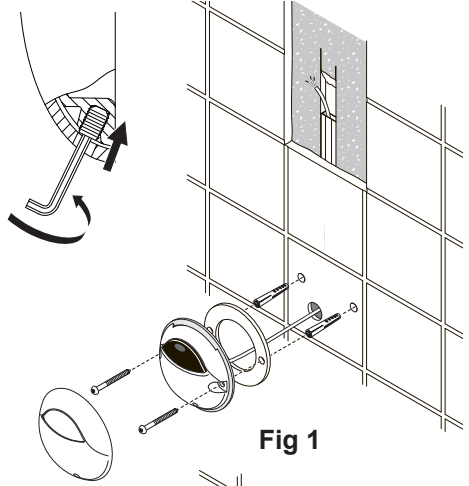
Whilst installation of sensors directly below shower heads/outlet is permitted, it is the installer's responsibility to ensure that any water left dripping from the outlets does not inadvertently cause the infrared sensors to accidentally trigger the mixing valve. Build up of limescale/residue within the shower head/outlet may cause water to drip and should therefore be regularly cleaned.

Dripping shower heads may cause sensors to trigger automatically, avoid installing the sensor directly in line with the shower head.



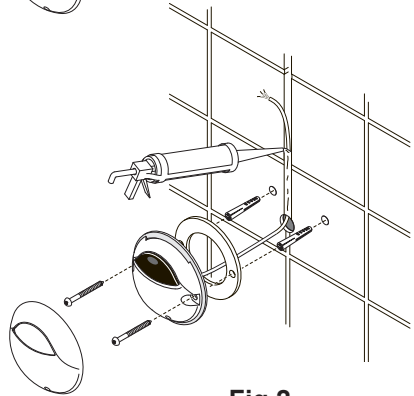
## Hand Operated IR Sensor

1. Cut a hole and channel in the wall to run the cable from the Sensor to the Sensor Box. Ideally the Sensor should sit within a single tile to ensure a good seal. Make sure the channel is positioned correctly and large enough to prevent the cable having a sharp bend. Concealment of the cable in miniature trunking is recommended (**Fig 1**). If the Sensor is to be fitted to an existing pretiled area with no duct space in which to run cables, a groove can be cut between tiles using a disc cutter. Set the cable in the groove and cover with silicone sealant (**Fig 2**). For maintenance purposes within pretiled areas, it is recommended to bury some cable slack in a hole behind the sensor (**Fig 3**). If the cable requires lengthening, three "3M™" watertight connectors are supplied to create an extension cable (see **Creating a Sensor Extension Cable**). **Caution!** Do not drill into buried pipes or cables.



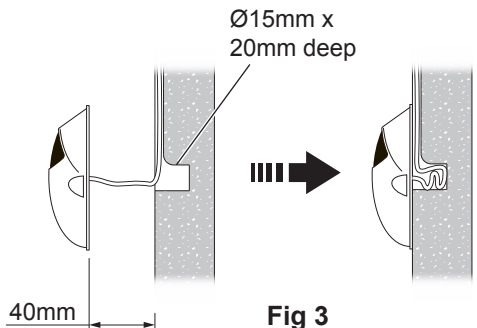
**Fig 1**

2. Screw in the cover screw to release and remove the Sensor cover.
3. Mark, drill and plug for the two fixing screws (supplied). Alternative fixings (not supplied) may be required for different wall structures. If the Sensor overlaps a groove between two or more tiles, fill any gaps with silicone sealant.
4. Secure the Sensor to the wall with two fixing screws.
5. Connect the Sensor cable to the Sensor Box. For systems with multiple sensors, make a list of their locations and corresponding connection numbers to the Sensor Box. This will aid set up of the control system.



**Fig 2**

6. Refit the Sensor cover, making sure that it locates correctly over the top of the Sensor. Unscrew the cover screw to secure the Sensor cover.



**Fig 3**



## Hand Operated Piezo Sensor

1. Cut a hole and channel in the wall to run the cable from the Sensor to the Sensor Box. Ideally the sensor should sit within a single tile to ensure a good seal. Make sure the channel is positioned correctly and large enough to prevent the cable having a sharp bend. Concealment of the cable in miniature trunking is recommended (**Fig 4**). If the sensor is to be fitted to an existing pretiled area with no duct space in which to run cables, a groove can be cut between tiles using a disc cutter. Set the cable in the groove and cover with silicone sealant (**Fig 5**). For maintenance purposes within pretiled areas, it is recommended to bury some cable slack in a hole behind the sensor (**Fig 6**). If the cable requires lengthening, three "3M™" watertight connectors are supplied to create an extension cable (**see Creating a Sensor Extension Cable**). **Caution!** Do not drill into buried pipes or cables.
2. Mark, drill and plug for the two fixing screws (supplied). Alternative fixings (not supplied) may be required for different wall structures. If the Sensor overlaps a groove between two or more tiles, fill any gaps with silicone sealant.
3. Secure the Sensor to the wall with two fixing screws.
4. Connect the Sensor cable to the Sensor Box. For systems with multiple Sensors, make a list of their locations and corresponding connection numbers to the Sensor Box. This will aid set up of the control system.

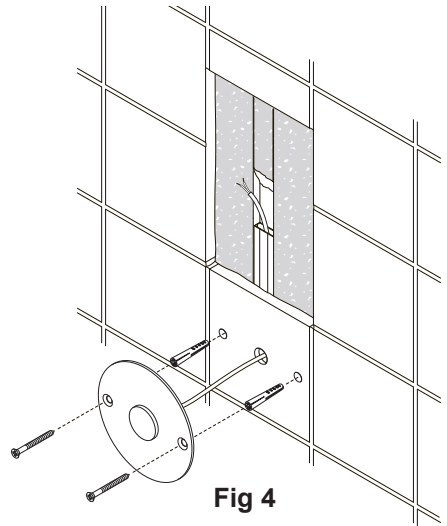


Fig 4

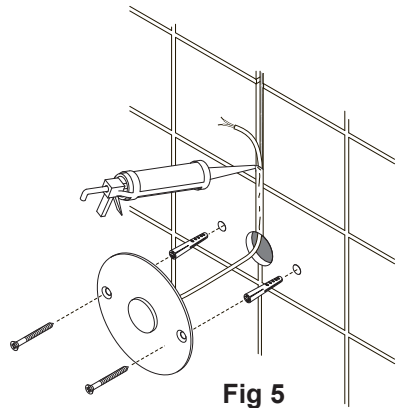


Fig 5

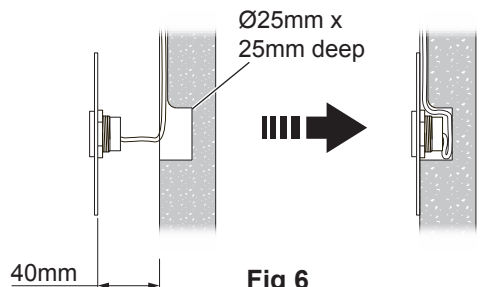


Fig 6

## Extending a Sensor Cable

This product is compliant with all CE marking directives with sensor cables up to 10 meters in length. Should the cable be extended beyond this length, you must make sure the installation complies with all relevant directives and local regulations.

The Sensor cables can be extended by using the 3M™ connectors supplied. The extension must be to the same specification as the integral sensor cable (LAPP Unitronic LIYY).

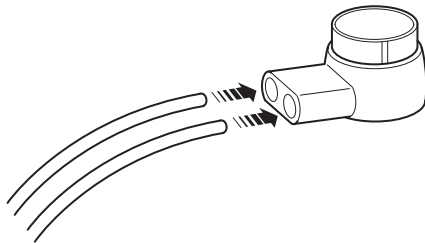
### Important!

- Do not use the 3M™ connectors to **shorten** the cable when replacing a sensor.
- Only use the 3M™ connectors supplied.
- After compressing, sealant is released. The use of any other type of connector may cause operation problems.
- Cable/Sheath ends must not be exposed to wet conditions and must terminate within a sealed enclosure or a fully sealed cable joint.
- Keep signal cables and power cables separate from each other to avoid electrical interference.

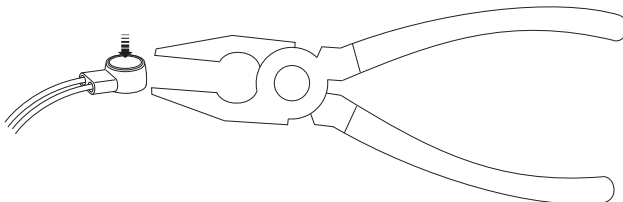
**Isolate the power supply to the Sensor Box BEFORE connecting or disconnecting the sensor wires.**

1. Insert the wire ends into the 3M™ connectors, make sure that they are fully pushed into the connectors so that the ends are under the jointing blades.

**Note!** Do not strip the wires, the jointing blades will make the connection through the outer sheath.



2. Using a pair of pliers, compress the connector to complete the connection.

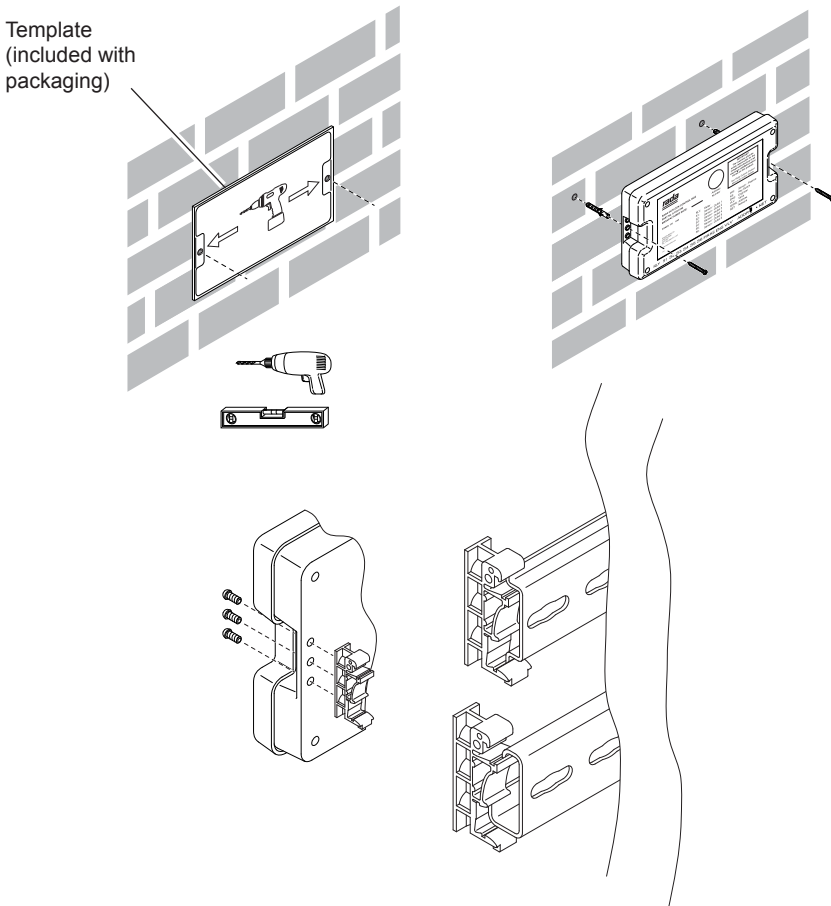


# RADA OUTLOOK SENSOR BOX

1. Fit the Sensor Box in a dry area where it can be connected to all required Sensors and the Mixer Valve. The position should have adequate access for maintenance and, if required, connection to a PC/Laptop Computer.

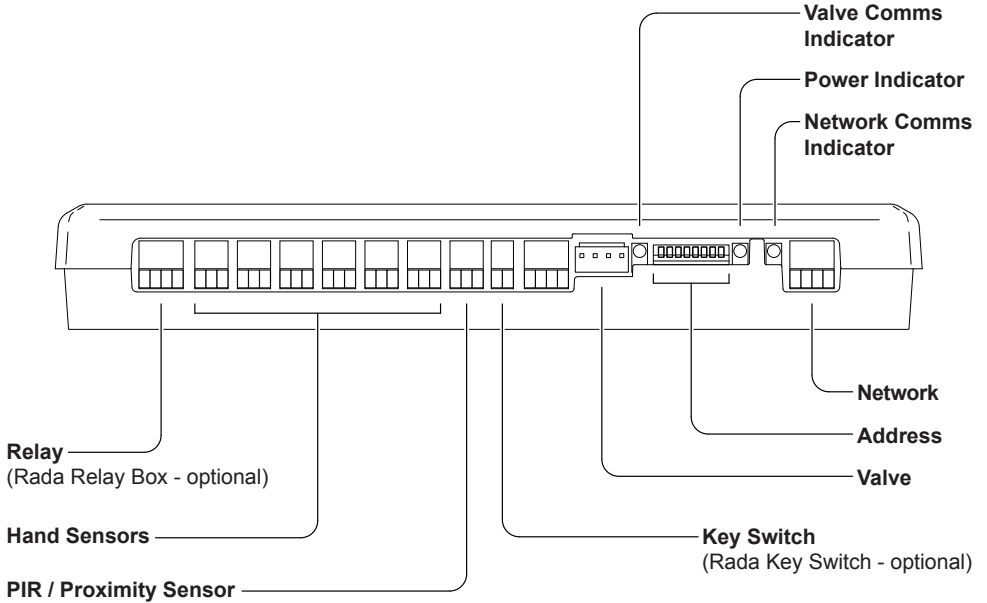
**Caution! The Sensor Box has no protection against water or moisture and must be installed in a dry area. Installing the Sensor Box in an area where it may be exposed to water condensation or high humidity may result in a system control failure.**

2. The Sensor Box can be fixed directly onto a wall structure with the fixing screws supplied, or alternatively attached to a DIN rail (35mm x 7.5mm top hat or 32mm x 15mm G-type) with the fixing clips, also supplied. Fit the clip to the DIN rail and fix the Sensor Box to the clips with the screws provided.



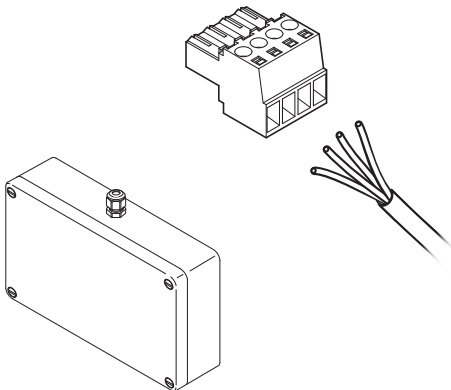
# SENSOR BOX CONNECTIONS

## Connection Ports

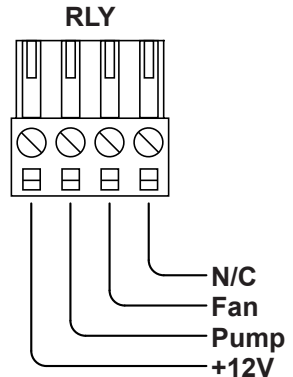


## Relay

Connection port to the Rada Relay Box (optional).

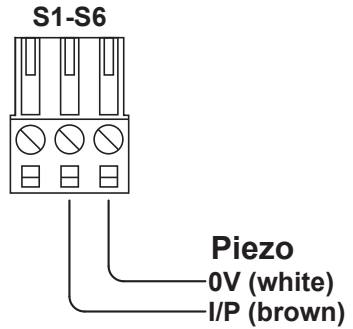
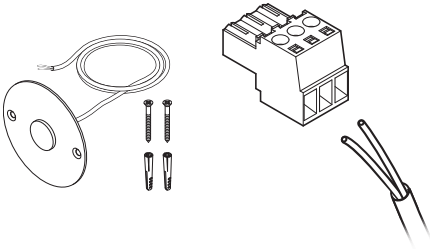
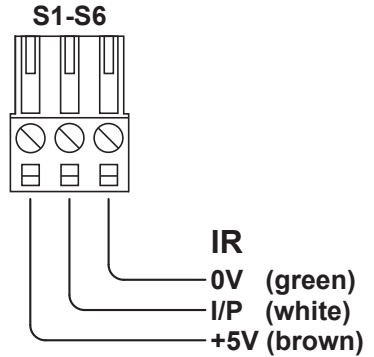
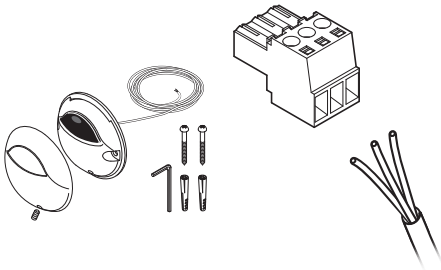


Rada Relay Box - see **“Accessories”**  
(cable not supplied)



## Hand Sensors

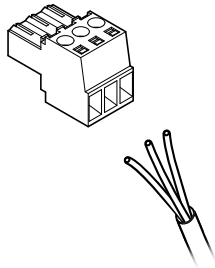
Connections are available for up to six hand sensors. **Only connect one sensor to one port.**



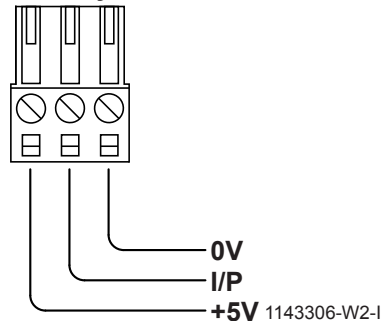
Rada Outlook Sensors - see “Accessories”

## PIR / Proximity Sensor

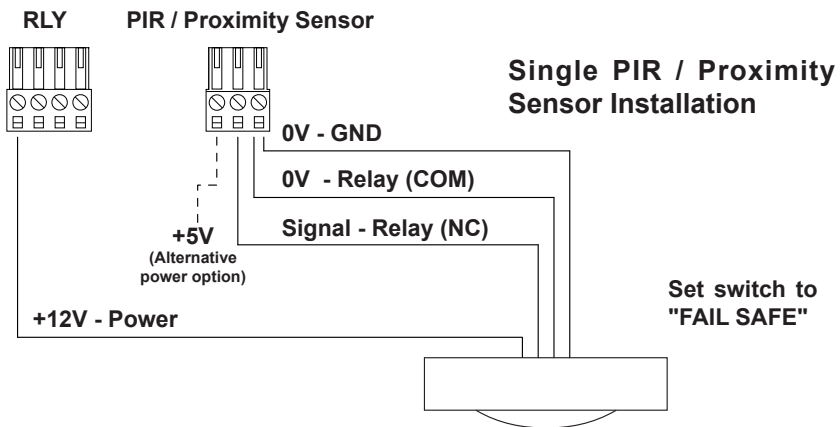
One Connection port is available for a Passive Infrared Sensor (PIR / Proximity Sensor). For safety, a PIR / Proximity Sensor stops the accidental use of a washing area while a disinfection cycle is being performed.



### PIR / Proximity Sensor

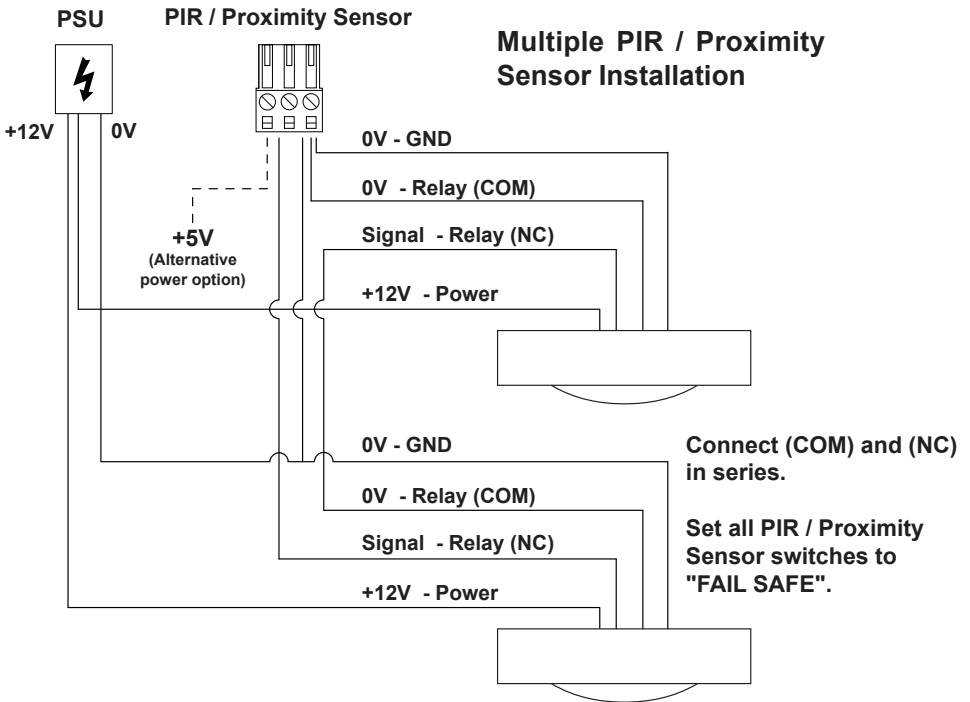
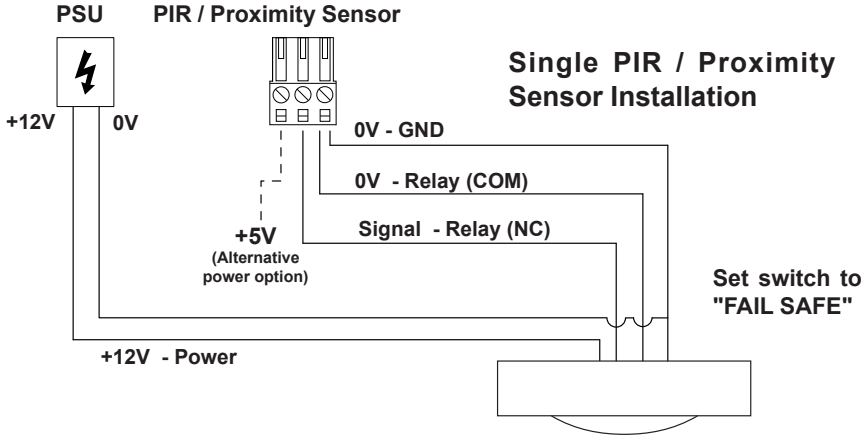


## PIR / Proximity Sensor - Internal Relay Connection



**An external power supply (not supplied) MUST be used for installations with more than two PIR / Proximity Sensors.**

# PIR / Proximity Sensor - External Power Supply Connection

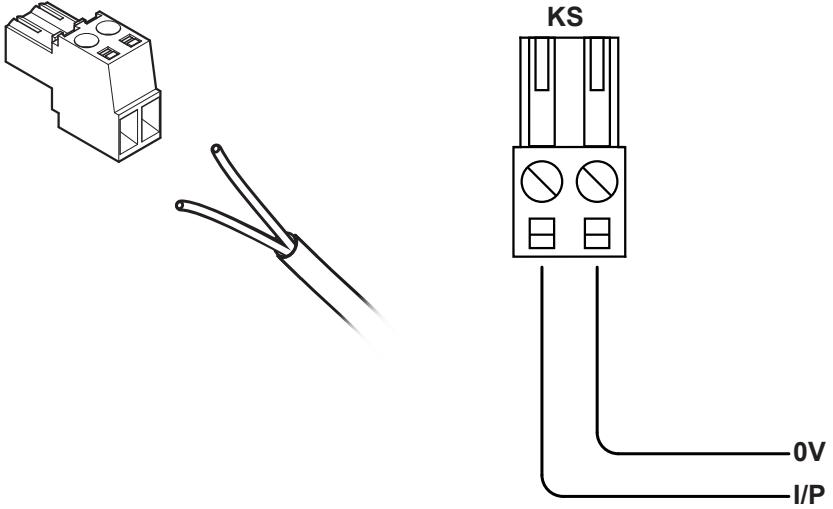


**An external power supply (not supplied) MUST be used for installations with more than two PIR / Proximity Sensors.**

**The Disinfection function can only work with at least one Passive Infrared Sensor (PIR / Proximity Sensor) installed and linked to the Sensor Box.**

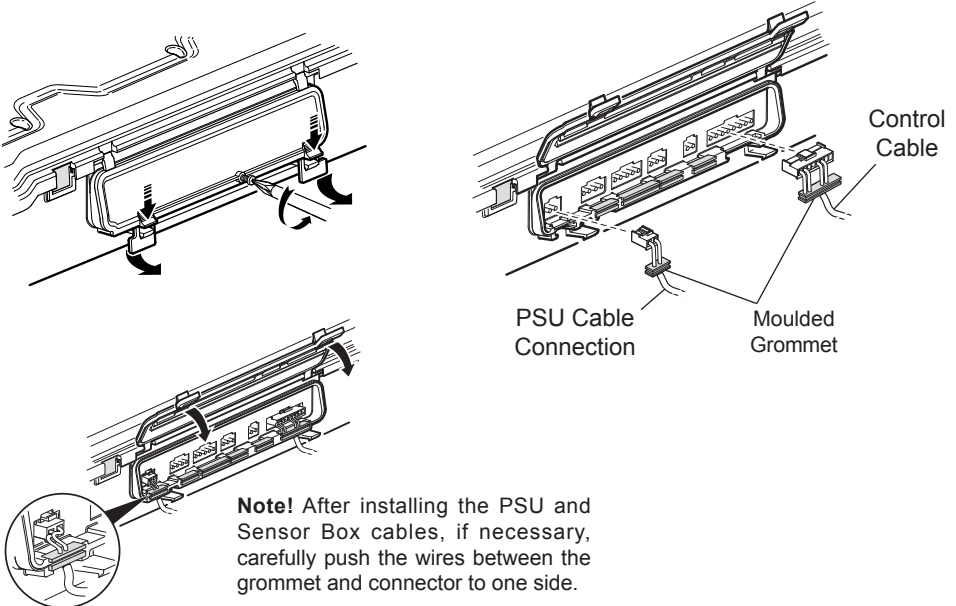
## Key Switch

Connection to the Rada Key Switch port (optional).



## Valve

Connection port to the Rada Outlook Mixer Valve (Control Cable supplied).

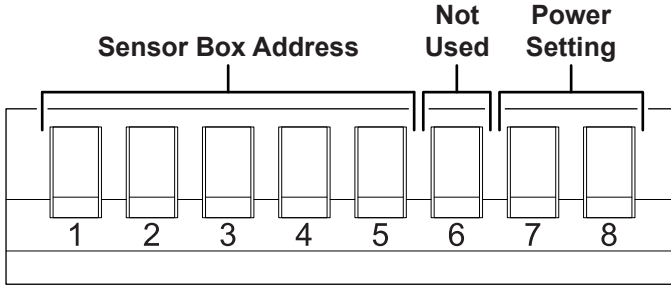


Plug Control Cable into Sensor Box Valve (VLV) port.



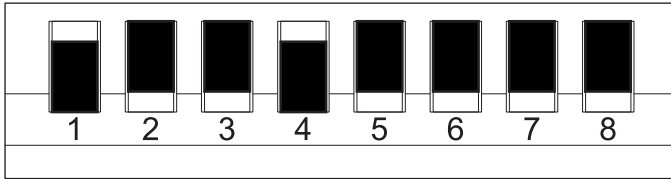
## Address

The network address of the Sensor Box.

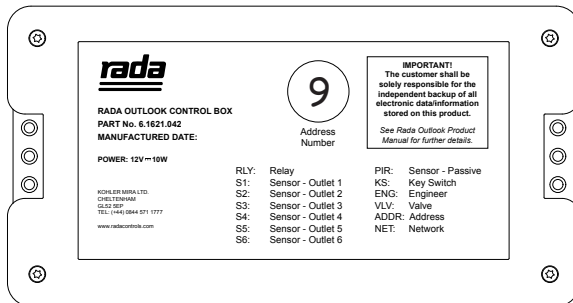


The Address switch block has two functions:

1. To identify the individual Sensor Box when connected to other Boxes within a network.
2. To allow the Sensor Box to be powered from either the Mixer Valve or another power supply (e.g. From a desktop PC via the USB data connection.)



Example: Address '9' on Internal Power



The Address can be written on the Sensor Box in the space provided

Address tables...

The following tables detail how the switch block can be set.

### Sensor Box Address

Address	1	2	3	4	5
1	UP	DOWN	DOWN	DOWN	DOWN
2	DOWN	UP	DOWN	DOWN	DOWN
3	UP	UP	DOWN	DOWN	DOWN
4	DOWN	DOWN	UP	DOWN	DOWN
5	UP	DOWN	UP	DOWN	DOWN
6	DOWN	UP	UP	DOWN	DOWN
7	UP	UP	UP	DOWN	DOWN
8	DOWN	DOWN	DOWN	UP	DOWN
9	UP	DOWN	DOWN	UP	DOWN
10	DOWN	UP	DOWN	UP	DOWN
11	UP	UP	DOWN	UP	DOWN
12	DOWN	DOWN	UP	UP	DOWN
13	UP	DOWN	UP	UP	DOWN
14	DOWN	UP	UP	UP	DOWN
15	UP	UP	UP	UP	DOWN
16	DOWN	DOWN	DOWN	DOWN	UP
17	UP	DOWN	DOWN	DOWN	UP
18	DOWN	UP	DOWN	DOWN	UP
19	UP	UP	DOWN	DOWN	UP
20	DOWN	DOWN	UP	DOWN	UP
21	UP	DOWN	UP	DOWN	UP
22	DOWN	UP	UP	DOWN	UP
23	UP	UP	UP	DOWN	UP
24	DOWN	DOWN	DOWN	UP	UP
25	UP	DOWN	DOWN	UP	UP
26	DOWN	UP	DOWN	UP	UP
27	UP	UP	DOWN	UP	UP
28	DOWN	DOWN	UP	UP	UP
29	UP	DOWN	UP	UP	UP
30	DOWN	UP	UP	UP	UP
31	UP	UP	UP	UP	UP
INVALID	DOWN	DOWN	DOWN	DOWN	DOWN

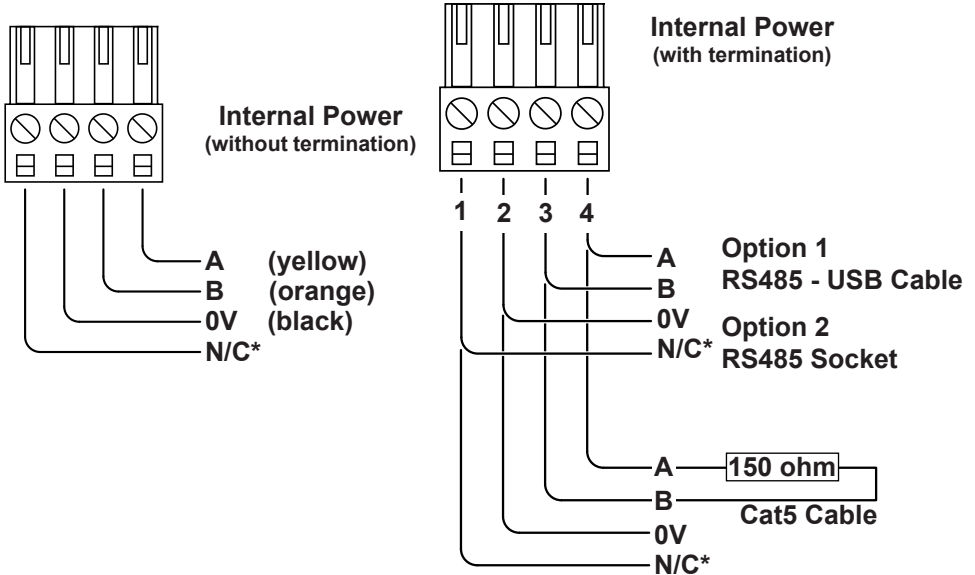
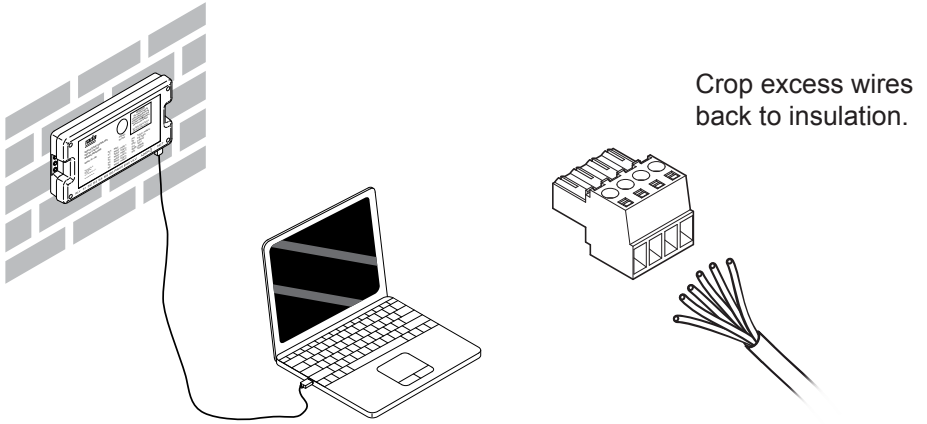
### Power Setting

Power	7	8
Internal (valve)	DOWN	DOWN
External	UP	UP

**Important!** Cycle the power to the Sensor Box off/on after any change to the Address switches.

## Network

Connection to RS485 - USB Cable. The Rada Outlook RS485 - USB Cable is supplied in a separate kit.



\*N/C = Not Connected

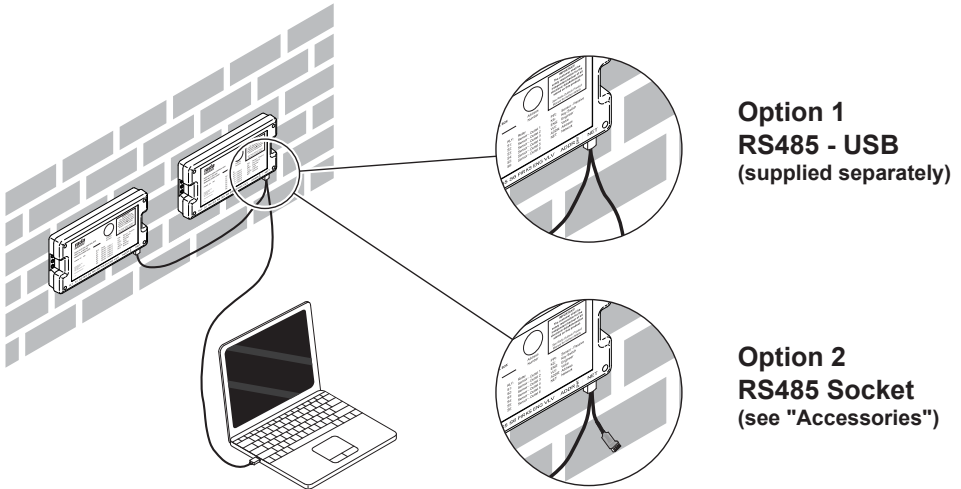
## Creating a Network

In an installation where more than one Mixer Valve/Sensor Box is required, the Sensor Boxes can be linked together to form a network. The network can then be controlled by connecting to any one of the Sensor Boxes using either an **RS485 - USB Cable** or **RS485 Socket**. A single network has the capacity for controlling a total of 31 Mixer Valves and Sensor Boxes connected simultaneously.

The recommended network cable is **Cat5 twisted pair** (not supplied).

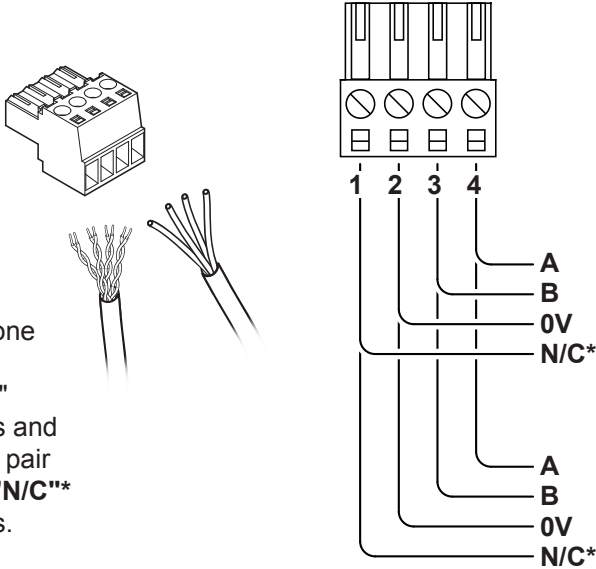
To connect the Sensor Boxes to a PC/Laptop device there are two options:

1. Connect both the RS485 - USB Cable and Cat5 cable to the Network (NET) port of one Sensor Box. Recommended for permanent connection.
2. Connect both the RS485 Socket and Cat5 cable to the Network (NET) port of one Sensor Box. Recommended for temporary connection.



### Cat5 cable

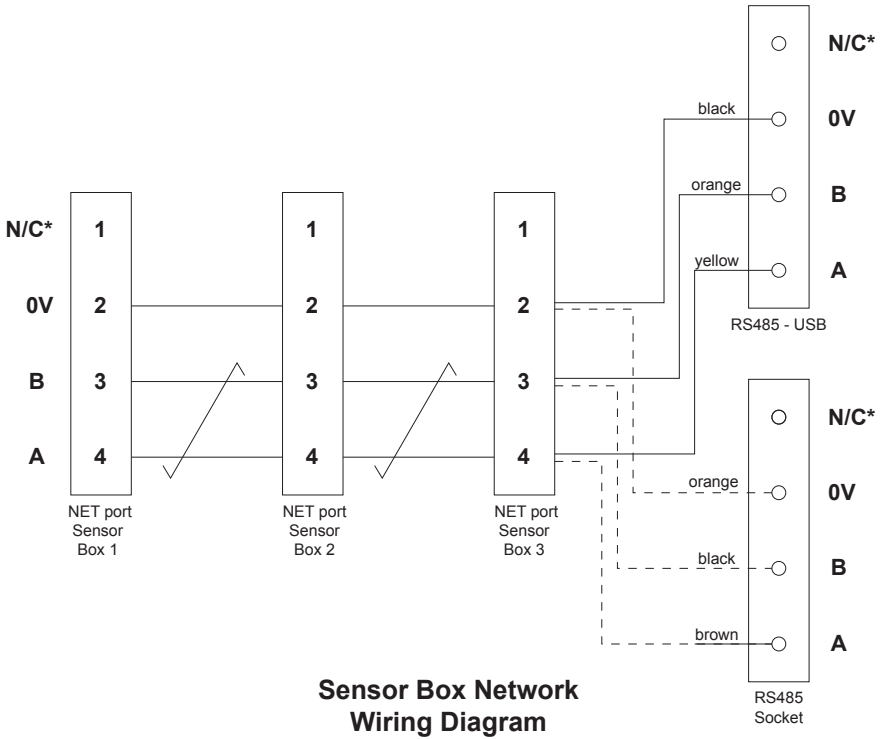
Designate one twisted pair as "A" & "B" connections and one twisted pair as "0V" & "N/C"\* connections.



**Option 1**  
RS485 - USB Cable

**Option 2**  
RS485 socket

**Cat5 cable**



**Sensor Box Network  
Wiring Diagram**

\*N/C = Not Connected

# COMMISSIONING

Commissioning **must** be carried out in accordance with these instructions, and **must** be conducted by designated, qualified and competent personnel.

1. Restore the water supply and check that there are no leaks.
2. Restore the power supply.
3. Set each of the outlets using the Rada Outlook Configuration Tool. Refer to "**Rada Modbus Universal Configuration Tool**" for full instructions.
4. After power is restored, the system will take 5-10 seconds to calibrate the Sensors before they can be operated. Activate each of the Sensors to start the Mixer Valve and flush out any air.  
Hand Operated IR Sensor - Wave hand over the black lens to activate.  
Hand Operated Piezo Sensor - Touch metal disc at the centre of the device.
5. Check the supply temperatures and pressures are within the range stated in "**Specifications**" and the guidance information on the prevention of legionella.
6. Check inlet pipework temperatures for correct function of checkvalves i.e. the hot water does not cross flow into the cold water supply.
7. Check that the potential temperatures and flow rates of the system are acceptable.
8. Carry out a performance check.

# OPERATION

The IR sensors are designed to operate at a distance of up to 30 mm. There is no need for the user to touch the IR sensor. The Piezo Sensor will activate when the metal disc in the centre is touched once.

Activate the Sensor(s) to start the water flow.

The water will flow until either it is switched off manually or the programmed flow time duration has elapsed.

The Rada Modbus Universal Configuration Tool (supplied separately) allows you to alter factory presets such as flow duration. It is designed to run on a suitable PC/ Laptop device with Microsoft Windows XP, Vista or Windows 7 and Windows 10 operating systems. (Refer to the "**Rada Modbus Universal Configuration Tool Product Manual**".)

# CLEANING

The Rada Outlook Sensors may be disabled temporarily for cleaning and maintenance purposes. This is possible with the use of a Keyswitch or other similar device (not supplied) connected to the Sensor Box.

Chrome Plated or plastic fittings should only be cleaned using a mild washing up detergent or soap solution and wiped dry with a soft cloth.

**Caution!** The use of pressure washers or other high pressure or high water volume cleaners are not permitted and may cause the sensors to fail.

# FAULT DIAGNOSIS

Maintenance **must** be conducted by designated, qualified and competent personnel.

**Warning!** Isolate power supply and water supply when any maintenance work is carried out on the Mixer Valve.

The Mixer Valve may contain hot water, so care **must** be taken when draining off residual water.

**Note!** The following table is not an extensive list of faults, if you find a fault that is not listed below, please contact us for assistance.

Most faults can be rectified by checking the following:

**Make sure the water supply has not been interrupted. All isolating valves should be fully open.**

## Fault Diagnosis Table

As with most electronic equipment resetting the mixing valve by powering it down, waiting a few seconds then powering it up again can often cure any issues.

Symptom	Probable Cause	Remedy
1. Sensor Box Power light not illuminated and No flow from any outlet	<b>A.</b> No Power to the Sensor Box or digital mixer <b>B.</b> PSU Failure <b>C.</b> Sensor Box Failure	<b>A.</b> Check connection between Mixer Valve and Sensor Box. Check system power is present. <b>B.</b> Replace the PSU. <b>C.</b> Replace the Sensor Box.

Symptom	Probable Cause	Remedy
<p><b>2.</b> No water flows from any outlet</p>	<p><b>A.</b> Water supply interruption</p> <p><b>B.</b> Blockage in the outlet fitting</p> <p><b>C.</b> Blockage in the Mixer Valve Inlets</p> <p><b>D.</b> The Mixer Valve memory may require resetting</p> <p><b>E.</b> Outlet Configured as "Not Used" in the Configuration tool</p> <p><b>F.</b> Outlet on/off Sensor</p> <p><b>G.</b> Digital Mixer valve box or Sensor Box failure</p>	<p><b>A.</b> Check all water supply isolators are turned fully on. Check for trapped air in the pipework.</p> <p><b>B.</b> Check the shower spray plate/hand wash spout for internal blockages.</p> <p><b>C.</b> Check the Mixer Valve inlets for blockages. Clean inlet filters.</p> <p><b>D.</b> Power cycle the PSU.</p> <p><b>E.</b> Check the outlet status with the Rada Outlook Configuration tool.</p> <p><b>F.</b> See Symptom 9.</p> <p><b>G.</b> Contact Rada Customer Services.</p>
<p><b>3.</b> Water flows from one outlet, but not from another</p>	<p><b>A.</b> Blockage in the outlet fitting</p> <p><b>B.</b> Outlet Configured as "Not Used" in the Configuration tool</p> <p><b>C.</b> Outlet on/off sensor</p> <p><b>D.</b> Digital Mixer valve box or Sensor Box failure</p>	<p><b>A.</b> Check the shower spray plate/hand wash spout for internal blockages. Check for trapped air in the pipework.</p> <p><b>B.</b> Check the outlet status with the Rada Outlook Configuration tool.</p> <p><b>C.</b> See symptom 9.</p> <p><b>D.</b> Contact Kohler Mira Ltd.</p>



Symptom	Probable Cause	Remedy
<p>4. Only cold water flows from any outlet</p>	<p><b>A.</b> Hot water supply is either not turned on, or not connected to the Mixer Valve</p> <p><b>B.</b> Hot water inlet is blocked</p> <p><b>C.</b> Outlet Configured as "Full Cold" in the Configuration tool</p> <p><b>D.</b> Digital Mixer valve box or Sensor Box failure</p>	<p><b>A.</b> Check hot water supply to the Mixer Valve. Check the system hot water supply is adequate for the demand.</p> <p><b>B.</b> Check for blockages to the hot water inlet. Clean inlet filters.</p> <p><b>C.</b> Check the outlet status with the Rada Outlook Configuration tool.</p> <p><b>D.</b> Contact Rada Customer Services.</p>
<p>5. Reduced water flow rate</p>	<p><b>A.</b> Blockage in the outlet fitting</p> <p><b>B.</b> Blockage in the Mixer Valve Inlets</p> <p><b>C.</b> Inlet Water pressures too low</p> <p><b>D.</b> Water outlet pressure is too low</p> <p><b>E.</b> Digital Mixer valve box or Sensor Box failure</p>	<p><b>A.</b> Check the shower spray plate/hand wash spout for internal blockages.</p> <p><b>B.</b> Check the Mixer Valve inlets for blockages. Clean inlet filters.</p> <p><b>C.</b> Check maintained water pressure is within recommended range, refer to "<b>Specifications</b>".</p> <p><b>D.</b> Check that the flow rate at the outlet is at least the minimum value required. See "<b>Specifications</b>".</p> <p><b>E.</b> Contact Rada Customer Services.</p>

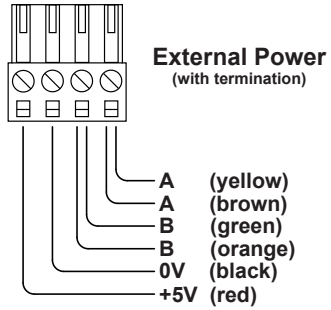
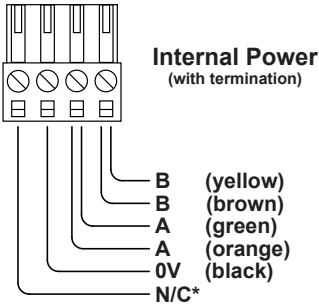
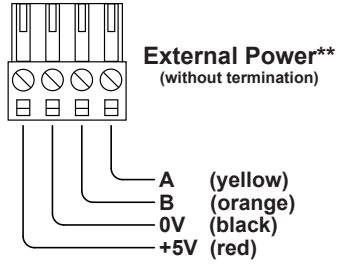
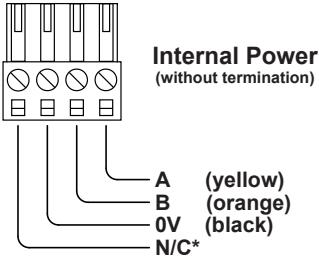
Symptom	Probable Cause	Remedy
<p><b>6.</b> Fluctuating outlet temperature</p>	<p><b>A.</b> Inlet water supply pressures are unstable or imbalanced</p> <p><b>B.</b> Fluctuating inlet water temperatures</p> <p><b>C.</b> Digital Mixer valve box or Sensor Box failure</p>	<p><b>A.</b> Ensure the water supply pressures are stable and nominally equal, refer to "<b>Specifications</b>".</p> <p><b>B.</b> Check the inlet temperature differentials and verify they are sufficient. See "<b>Specifications</b>". Check system plumbing for the following:</p> <ol style="list-style-type: none"> <li>1. Heat transfer between hot and cold pipes.</li> <li>2. Pipes exposed to a high or low ambient temperature.</li> <li>3. Long pipe "dead leg" between Mixer Valve and outlet fitting.</li> <li>4. Water draw off from another appliance.</li> <li>5. Water heating appliance is providing insufficient hot water.</li> </ol> <p><b>C.</b> Contact Rada Customer Services.</p>
<p><b>7.</b> Water leaking from the Mixer Valve</p> <p><b>WARNING!:</b> Risk of personal injury or product damage. Immediately isolate mains power and water supplies.</p>	<p><b>A.</b> Water inlet/outlet connections to Mixer Valve are not secure</p> <p><b>B.</b> Internal water leak</p>	<p><b>A.</b> Check all water connections to and from Mixer Valve.</p> <p><b>B.</b> Contact Rada Customer Services.</p>

Symptom	Probable Cause	Remedy
<p><b>8.</b> Hot water only, valve shuts down shortly after</p>	<p><b>A.</b> Hot inlet water supply temperature is too high</p> <p><b>B.</b> Cold inlet water supply pressure too low or fluctuating</p> <p><b>C.</b> Cold inlet water supply failure</p> <p><b>D.</b> Inlet filters or check valves blocked</p> <p><b>E.</b> Digital Mixing valve air locking</p> <p><b>F.</b> Reversed inlet supplies</p> <p><b>G.</b> Digital Mixer valve box or Sensor Box failure</p>	<p><b>A.</b> Reduce hot inlet water temperature to between 55°C and 65°C, refer to "<b>Specifications</b>".</p> <p><b>B.</b> Ensure the water supply pressures are stable and nominally equal, refer to "<b>Specifications</b>".</p> <p><b>C.</b> Check and remedy.</p> <p><b>D.</b> Check and remedy, refer to "<b>Maintenance</b>".</p> <p><b>E.</b> Check for correct installation practices, repeat commissioning procedure and rearrange pipework to avoid airlock forming.</p> <p><b>F.</b> Check and remedy.</p> <p><b>G.</b> Contact Rada Customer Services.</p>

<b>Symptom</b>	<b>Probable Cause</b>	<b>Remedy</b>
<b>9.</b> Sensor not working	<b>A.</b> Faulty connection  <b>B.</b> Incorrect sensor match between outlet position and sensor box connection  <b>C.</b> Faulty Sensor	<b>A.</b> Check sensor wiring. Refer to the wiring diagram in the installation guide. Check wires are making good contact with the Sensor Box. If wires have been extended, check connectors between sensor and Sensor Box.  <b>B.</b> Check inlets and out positions are correct.  <b>C.</b> Contact Rada Customer Services.

<b>Symptom</b>	<b>Probable Cause</b>	<b>Remedy</b>
<p><b>10.</b> Sensor Box not recognised within Configuration Tool. Cannot configure sensor</p>	<p><b>A.</b> Incorrect Address (ADDR) setting</p> <p><b>B.</b> Sensor Box connection</p> <p><b>C.</b> Incorrect Communication Port selected in configuration tool</p> <p><b>D.</b> Faulty cable</p> <p><b>E.</b> Incorrect or no drivers installed.</p> <p><b>F.</b> Faulty Sensor Box</p>	<p><b>A.</b> Check the following: Address is not duplicated within a network. Power Settings are correct (Internal / External) Refer to configuration information.</p> <p><b>B.</b> Check wiring connections. Check wires are making good contact with the Sensor Box(es). Check connections between Mixer Valve and Sensor Box or between Sensor Boxes networked together.</p> <p><b>C.</b> Select correct communication port.</p> <p><b>D.</b> Replace cable.</p> <p><b>E.</b> Re-install from USB stick.</p> <p><b>F.</b> Contact Rada Customer Services.</p>

Symptom	Probable Cause	Remedy
<p><b>11.</b> Disinfection cycle fails to start or stops mid way</p>	<p><b>A.</b> Causes relate to PIR / Proximity Sensor</p> <p><b>B.</b> No PIR / Proximity sensor fitted</p> <p><b>C.</b> PIR / Proximity Sensor triggered during cycle</p> <p><b>D.</b> Connection between PIR / Proximity sensor and Sensor Box</p> <p><b>E.</b> PIR / Proximity sensor failure. (Green light is displayed when sensor is idle.)</p> <p><b>F.</b> PIR / Proximity sensor faulty</p>	<p><b>B.</b> To enable The disinfection cycle a PIR / Proximity sensor must be fitted to protect from scalding water.</p> <p><b>C.</b> Prevent access to PIR / Proximity sensor trigger area.</p> <p><b>D.</b> Check connection.</p> <p><b>E.</b> Check connections and replace unit if necessary</p> <p><b>F.</b> Replace PIR / Proximity sensor.</p>



\*N/C = Not Connected

\*\* External Power will limit the number of sensor boxes within a network to 10.

# PLANNED MAINTENANCE

Malfunction of the Mixer Valve is almost always progressive in nature and will be detected by the use of proper temperature checking and maintenance routines.

Certain types of installation can result in the Mixer Valve having excessive 'dead-legs' of pipework, or auxiliary cold water supply added to the mixed water from the Mixer Valve. Such systems can disguise the onset of thermostatic mixer valve malfunction and should not be used.

We recommend a preventative maintenance procedure based on site conditions, local legislation and the risk to the user. All results **must** be recorded in a log book.

Irrespective of supply and usage conditions or the evidence of in-service tests, the critical components listed in the table below, should be replaced at intervals of no more than **5 years**.

**Note!** During the replacement of critical components, it may be necessary to replace other non-critical components.

## Critical Components

Pack Number	Description
464.40	Solenoid Manifolds
463.08	Single Thermistor Pack



## Checkvalves and Filters

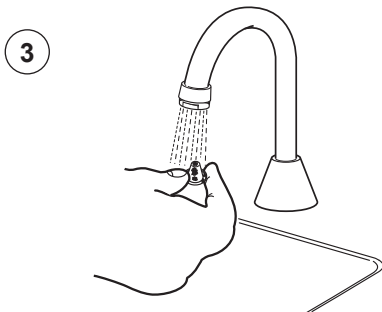
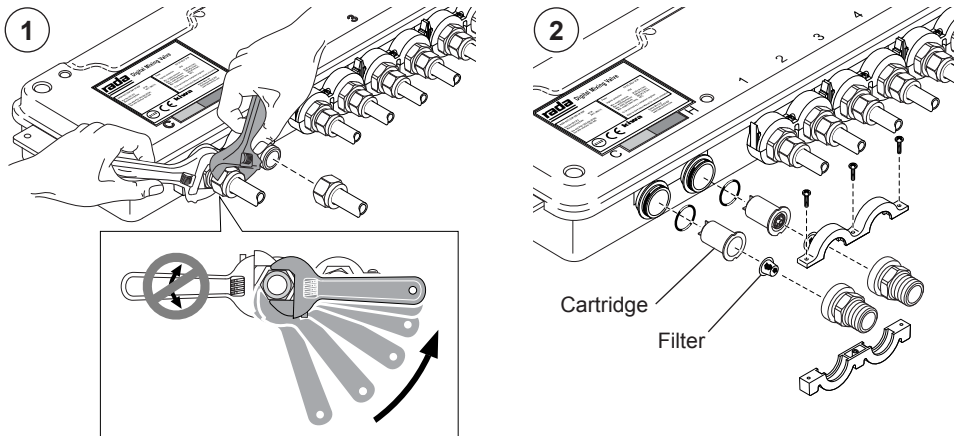
**Warning!** The Mixer Valve may contain hot water, so care **must** be taken when draining the valve of any residual water.

Isolate the supplies to the Mixer Valve and operate all Sensors to release pressure and assist draining.

The Mixer Valve has inlet cartridge assemblies that contain both the checkvalve and filter. These components can be removed for cleaning. Inlet filters can be flushed through under a jet of water to remove any lodged particles.

**Caution!** The checkvalves are not serviceable items, so any apparent wear or damage will require their renewal.

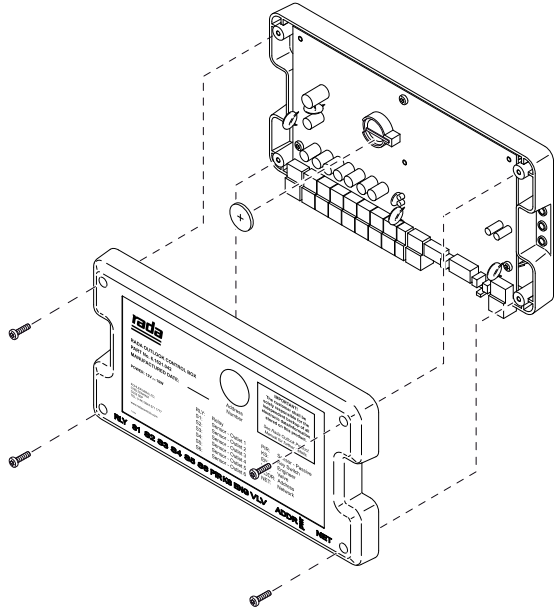
Make sure all components are clean before refitting the 'O' seals. To assist in refitting, lightly wipe the 'O' seals with a **silicone based lubricant only**.



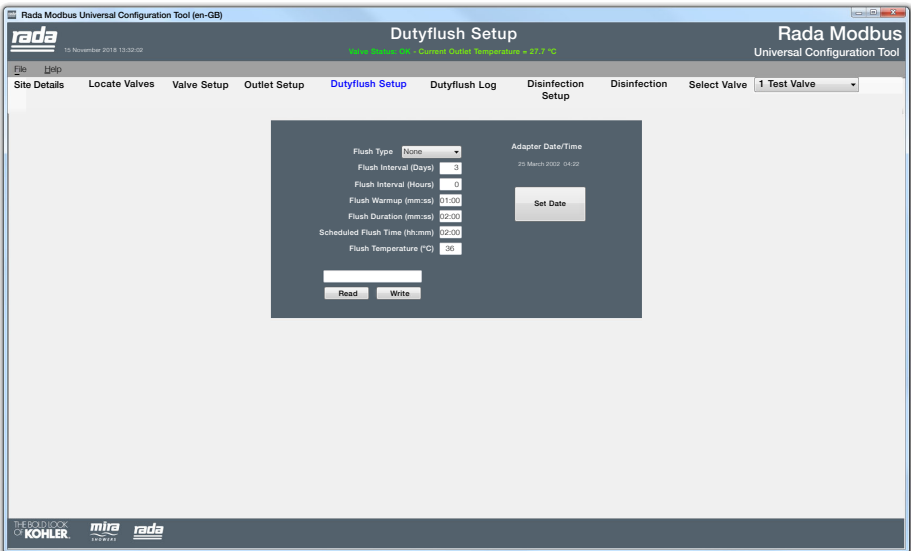
Reassemble and restore the hot and cold water supplies. Check that there are no water leaks.

## Changing the Battery (Sensor Box only)

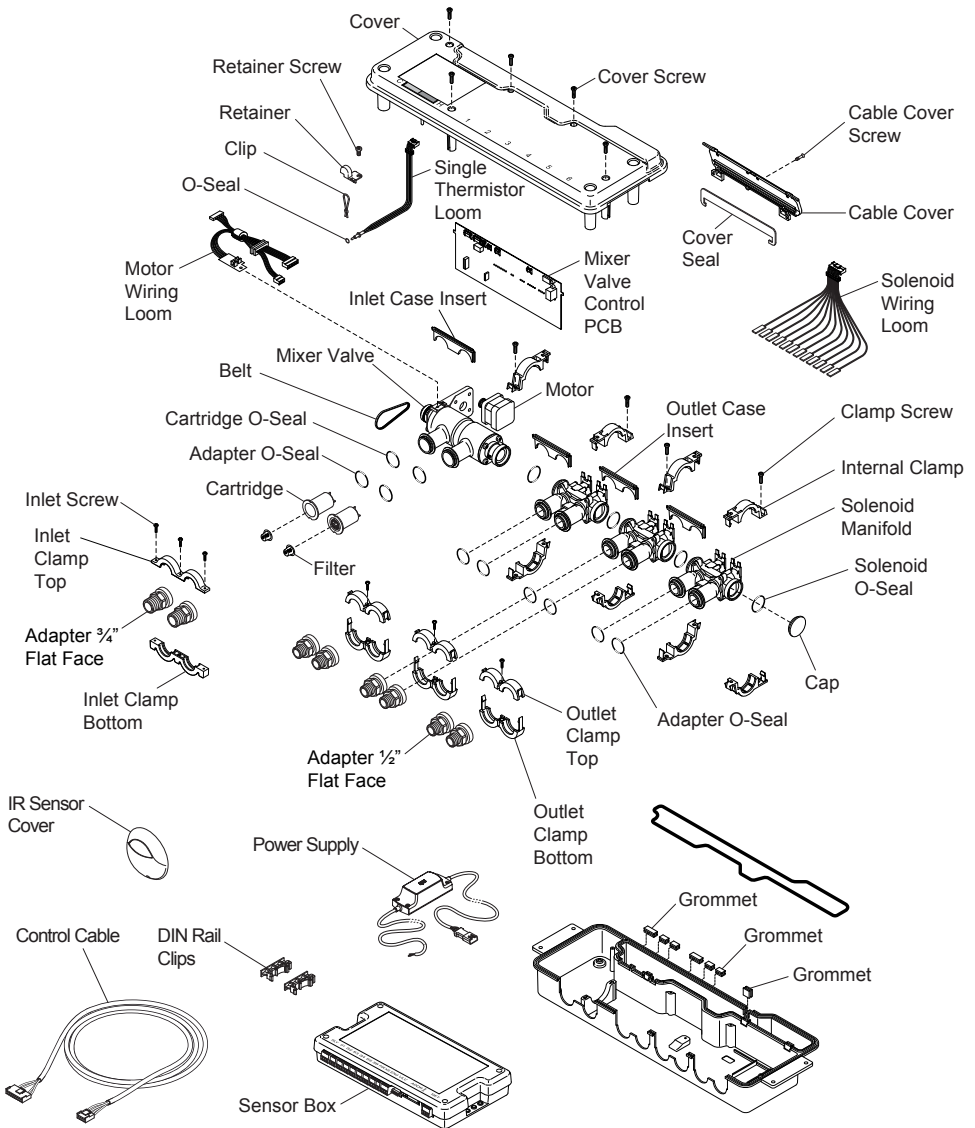
Disconnect the Sensor Box from the Mixer Valve. Remove the cover screws and cover, and replace the battery with type 3V BR 2032. Refit the cover and reconnect the Mixer Valve. The fitted battery life is approximately 10 years from date of manufacture. It is recommended that the battery is changed every 5 years.



Reset the time and date by pressing **"Set Date"** in the **"Duty Flush Setup"** screen of the Rada Modbus Universal Configuration Tool.



# SPARE PARTS



**463.05**

Screw &amp; Seal Pack



Belt



Inlet Screws



Cover and Clamp Screws



O-Ring



Check Valve O-Rings



Adapter O-Rings



Solenoid O-Rings

**463.08**

Single Thermistor Pack



Cover Screws



Clip



O-Ring



Thermistor Wiring Loom

**463.13**

Inlet Clamp and Adapters



Inlet Screws



Inlet Clamp Top



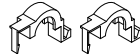
Adapter O-Rings

Adapters  
3/4" Flat Face

Inlet Clamp Bottom

**463.28**

Internal Clamps



Internal Clamps



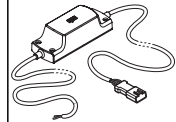
Solenoid O-Ring



Clamp Screw

**463.83**

12V DC 45W Power Supply Unit (PSU)

**464.40**

Solenoid Manifold



Cap



Internal Clamps



Solenoid Manifold



Adapter O-Rings



Cover and Clamp Screws



Inlet Screws



Solenoid O-Rings

**464.42**

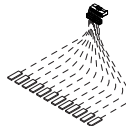
Solenoid Wiring Loom



Cover Screws



Snap Ferrite



Solenoid Wiring Loom

**464.47**

Outlet Clamps



Outlet Clamp Top



Outlet Clamp Bottom



Adapter O-Rings



Outlet Screw

**464.52**

Outlet Adapters



Outlet Clamp Top

Adapters  
1/2" Flat Face

Outlet Screw



Outlet Clamp Bottom



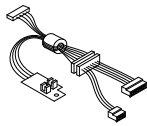
Adapter O-Rings

**464.54**

Stepper Motor Loom



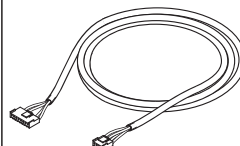
Cover Screws



Motor Wiring Loom

**1621.092**

Control Cable

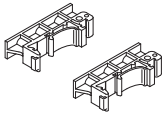
**464.29**

Suppression Ferrite



**1621.094**

Din Rail Clips



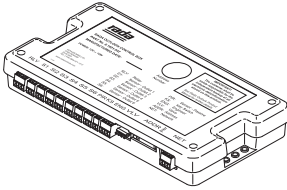
**1621.095**

IR Sensor Chrome Cover



**1621.122**

Sensor Box

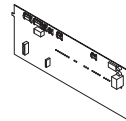


**1621.130**

Mixer Valve Control PCB



Cover  
Screws



Circuit Board

**1621.179**

Mixer Valve Assembly



Retainer



Retainer  
Screw



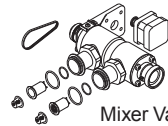
O-Ring



Inlet Clamp Top



Solenoid O-Ring



Mixer Valve



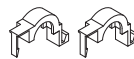
Clip



Inlet Screws



Inlet Clamp Bottom



Internal Clamps



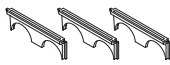
Cover and Clamp Screws

**1621.181**

Plates



Inlet Case Insert



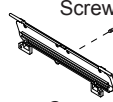
Outlet Case Inserts

**1621.182**

Cable Cover



Cover Seal



Cover

Cable Cover  
Screw



Cover Screws



Grommets

**1621.191**

Check Valves and  
Filter Cartridges



Filters



Adapter O-Rings



COLD



Inlet  
Screws



Check Valve  
O-Rings



HOT

Check Valve  
Cartridges

**1621.195**

Timing Belt

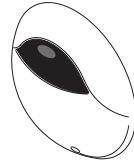


Belt x 5

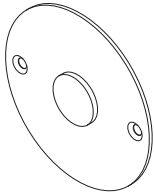
# ACCESSORIES



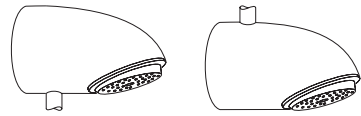
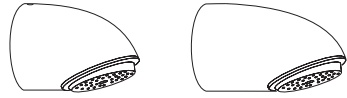
1621.112 Rada Outlook IR  
Hand Sensor (6m)



1621.228 Rada Outlook IR  
Hand Sensor (10m)

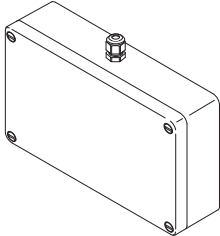


1621.085 Rada Outlook  
Piezo Hand Sensor

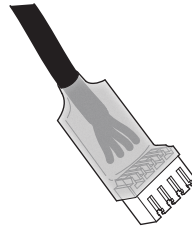


## Outlet Fittings:

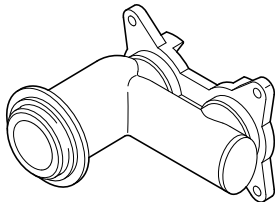
Rada has a comprehensive range of spouts and shower fittings, available separately.



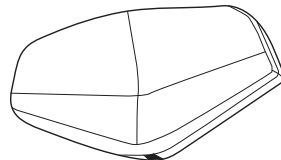
2.1495.044 Rada Relay Box



1621.116 Rada Outlook RS485 Socket



1621.115 Outlet By-Pass Adapter



1931.315 Opex PIR / Proximity Sensor

# DISPOSAL & RECYCLING

## End of Product Life

When the appliance has reached the end of its serviceable life, it should be disposed of in a safe manner and in accordance with the current local authority recycling or waste disposal policy.

## Batteries

Spent batteries should not be disposed of with normal waste. Contact your local authority for information on waste disposal and recycling.



# CUSTOMER SERVICE

Your product has the benefit of our manufacturer's guarantee which commences from date of purchase or from the date of commissioning when product commissioning has been conducted within the UK by the Rada Commercial Field Service Team.

Outside of the UK please contact your local agent for all guarantee terms and conditions or visit [www.radacontrols.com](http://www.radacontrols.com) for further information.

**For UK (only) Customer Service & Post Installation enquiries**, including details of the Rada Commissioning, Responsive and Maintenance Contract Service Packages please contact:



**0344 571 1777**



**01242 282595**



**radacustomerservices@mirashowers.com**



**www.radacontrols.com**



Rada Controls, Cromwell Road, Cheltenham,  
Gloucestershire GL52 5EP

**For UK (only) Pre-Specification Enquiries** please contact:



**0344 571 1777**



**01242 282595**



**rada\_technical@mirashowers.com**



**www.radacontrols.com**



Rada Controls, Cromwell Road, Cheltenham,  
Gloucestershire GL52 5EP

**For Eire Only**



**01 531 9337**



**CustomerServiceEire@mirashowers.com**

*Rada is a registered trade mark of Kohler  
Mira Limited.*

*The company reserves the right to alter  
product specifications without notice.*



**rada**